

INSTALLATION INSTRUCTION

RF SINGLE COLOR DIMMER

TECHNICAL DATA:

Model	VT-2402
Output	1 Channel
Remote Control Distance	>15m
Output Current	8A
Output Power	12V- 96W; 24V-192W
Input Voltage	DC: 12V-24V



INTRODUCTION & WARRANTY

Thank you for selecting and buying V-TAC product. V-TAC will serve you the best. Please read these instructions carefully before starting the installation and keep this manual handy for future reference. If you have any another query, please contact our dealer or local vendor from whom you have purchased the product. They are trained and ready to serve you at the best. The warranty is valid for 2 years from the date of purchase. The warranty does not apply to damage caused by incorrect installation or abnormal wear and tear. The company gives no warranty against damage to any surface due to incorrect removal and installation of the product. The products are suitable for 10-12 Hours Daily operation. Usage of product for 24 Hours a day would void the warranty. This product is warranted for manufacturing defects only.

WARNING

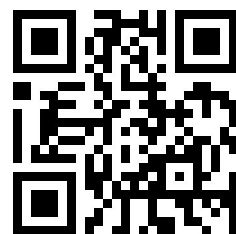
1. Please make sure to turn off the power before starting the installation.
2. Installation must be performed by a certified person.



This marking indicates that this product should not be disposed of with other household wastes.



Caution, risk of electric shock.



MULTI-LANGUAGE MANUAL QR CODE




Please scan the QR code to access the manual in multiple languages.

PRODUCT DESCRIPTION

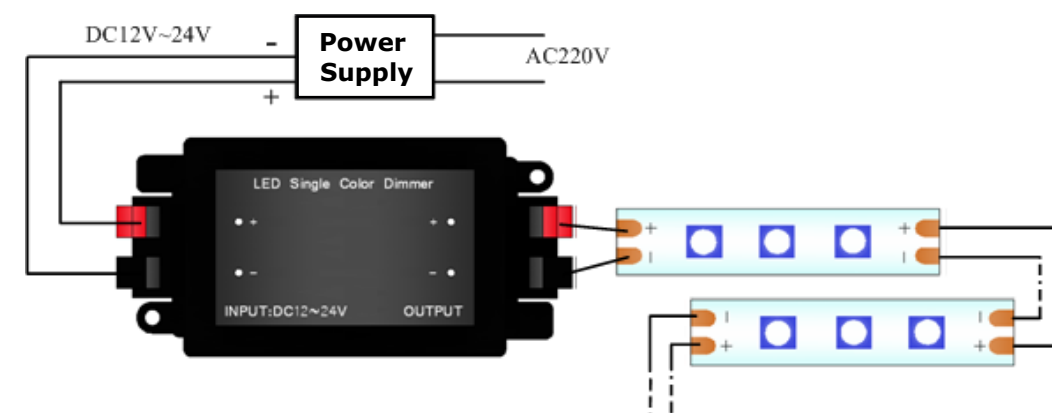
RF Single color dimmer is a controller that can adjust brightness infinitely and change to flash. It's control mode is wireless and you could adjust the light to the appropriate brightness in accordance with your actual need.

DIRECTION OF USE

- Connect the load wire at first, following to connected the power wire; Please ensure short circuit can not occur between connecting wire before you turn on the power;
- Functions for wireless controller:

Symbol	Button Name	Instruction
	Brightness up	This key allows you to increase the brightness of the strip.
	Brightness down	This key allows you to decrease the brightness of the strip.
	On/off	Switch for power on and off.

APPLICATION TYPE



NOTE:

Incase the dimmer is not working, one of the reasons could be signal/frequency distortion between the dimmer and the remote. For such a case, kindly follow below instructions.

Step 1: Power On.

Step 2: Press the brightness " - " key and the "TURN OFF" key at same time.

After this, the strip would flash once and then can test. It should work.

* If the controller still does not work, after the above steps, kindly contact the dealer from whom it was purchased.



- This product's Input voltage is DC; 12V~24V. Other input voltages are not allowed.
- Ensure that the lead wires are connected correctly, according to the wire color and as per the above diagram.
- Overloads are prohibited