

INSTALLATION INSTRUCTION

VT-4551D LED LINEAR LIGHTING SYSTEM

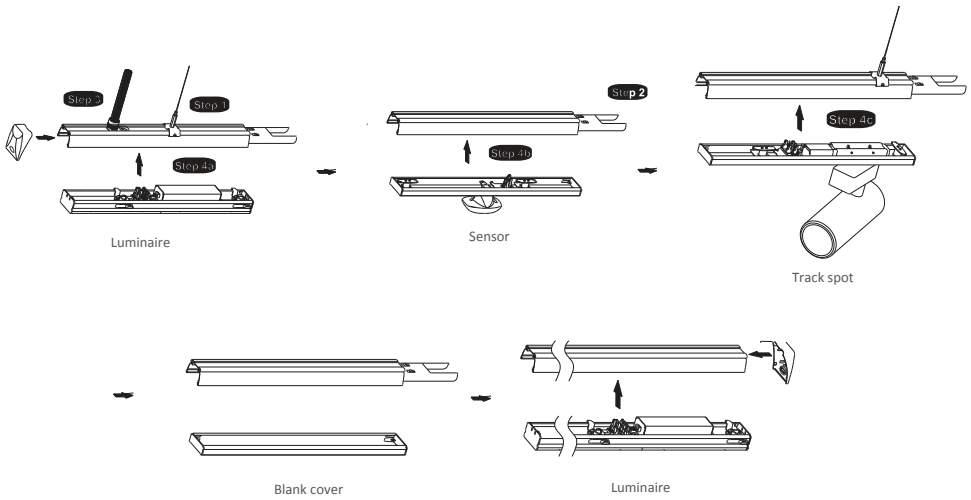


INTRODUCTION

Thank you for selecting and buying V-TAC LED Emergency Spotlight. V-TAC will serve you the best. Please read these instructions carefully before starting the installation and keep this manual handy for future reference. If you have any other query, please contact our dealer or local vendor from whom you have purchased the product. They are trained and ready to serve you at the best.

SAFETY NOTES

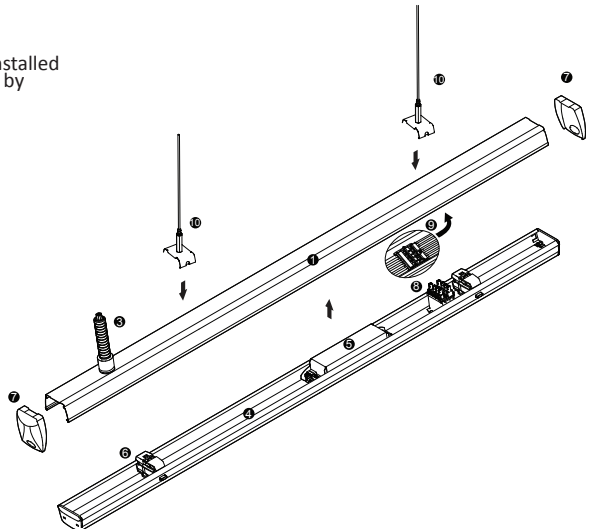
- Install should be performed only by qualified technician.
 - Make sure no voltage while doing the installation.
 - Connect cable wires according to wire labeling.
 - Max current should not exceed 16A in one power feed circuit.
-



Master:

Master module can be independently installed as a single unit it also can be connected by Follow at end of one linear light row

- 1 Trunking Rail
- 3 Power cable feed in hole
- 4 Luminaire
- 5 Driver
- 6 Lock holder
- 7 End cap
- 8 Male connector
- 9 Female connector
- 10 Installation cord

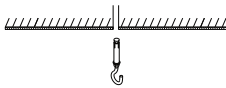


INSTALLATION INSTRUCTION

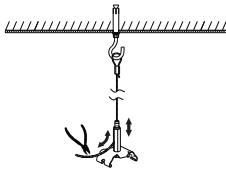
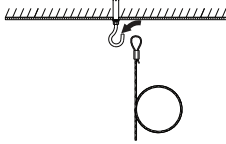
Step 1

Mounting Suspension

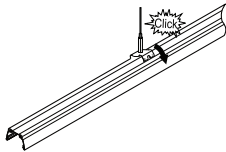
Drill a hole on ceiling



Fix mounting hook into ceiling



Adjust length of suspension cord:
a. press down Hexagon bolt;
b. Pull in/out cord to adjust length



Click in mounting clip into trunking rail

Step 2

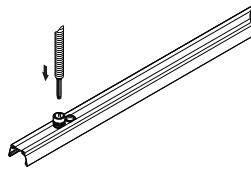
Connecting Power Supply



Cut the Rubber cap to pass the power cable



Screw in the conduit gland



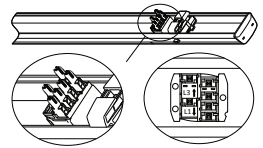
Put in conduit with cable inside and pull up conduit gland to lock



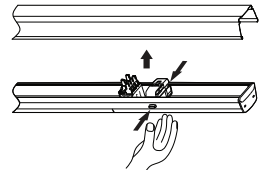
Connect wires according labeling on wires to feed in connector then connect to connector in trunking rail

Step 3

Mounting Luminaire



Slide knob to select phase L1/L2/L3



Make sure male & female connectors in right position then fix the luminaire to trunking rail



Push the sliding lock to lock the luminaire to trunking rail



NOTICE

- Risk of shock, hence disconnect at fuse or circuit breaker before installation or servicing.
- Suitable for a Maximum use of 10-20 Hours Daily. Usage of product for 24Hours a day would void the warranty.

WARRANTY

- This product is warranted from manufacturing defect only.
- The warranty does not apply to damage caused by incorrect installation or abnormal wear and tear.
- The company gives no warranty against damage to any surface due to incorrect removal and installation of the product.

WARNING

- The product uses a very high power LED. As with any light source, direct viewing should be avoided.
- NOTE: Although easy to fit, this lamp requires wiring to the main and for safety should only be fitted by a qualified electrician.
- Having issued this warning, the company accepts no responsibility for issues arising for any failures to comply with these clear instructions.
- The company will not accept any responsibility for any other issues arising from improper use of fitting of this product as these materials are beyond our control.