



Meaningful Innovation.

WEEE Number: 80133970

# INSTRUCTION MANUAL

## LED BACKLIT PANEL

### TECHNICAL DATA

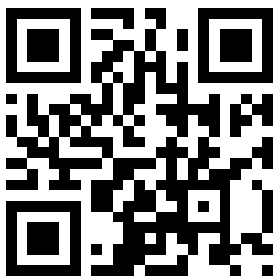
MODEL	VT-61037
SKU	23765, 23766
POWER	36W
LUMENS	4320 Lm
BEAM ANGLE	110°
CRI	≥80
DF	≥0.9
LIFE SPAN	20,000 Hours
ON/OFF CYCLE	10,000 Times
IP RATING	IP20
OPERATING TEMPERATURE	-10°C to +35°C
INPUT POWER	AC: 220-240V, 50/60Hz
DIMENSION	595x595x33.5 mm



**02** YEAR  
**WARRANTY\***

### INTRODUCTION & WARRANTY

Thank you for selecting and buying V-TAC product. V-TAC will serve you the best. Please read these instructions carefully before starting the installation and keep this manual handy for future reference. If you have any other query, please contact our dealer or local vendor from whom you have purchased the product. They are trained and ready to serve you at the best. The warranty is valid for 2 years from the date of purchase. The warranty does not apply to damage caused by incorrect installation or abnormal wear and tear. The company gives no warranty against damage to any surface due to incorrect removal and installation of the product. The products are suitable for 10-12 Hours Daily operation. Usage of product for 24 Hours a day would void the warranty. This product is warranted for manufacturing defects only.



### MULTI-LANGUAG MANUAL QR CODE

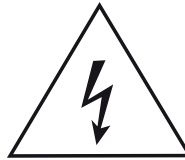
Please scan the QR code to access the manual in multiple languages.



Points de collecte sur [www.quefairedemesdechets.fr](http://www.quefairedemesdechets.fr)  
Privilégiez la réparation ou le don de votre appareil !



This marking indicates that this product should not be disposed of with other household wastes.



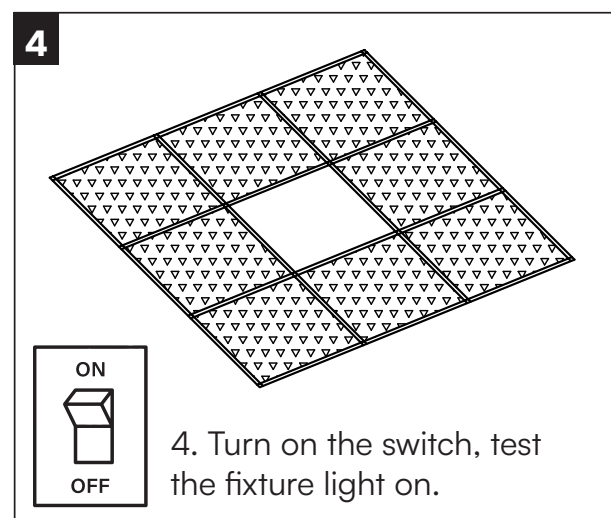
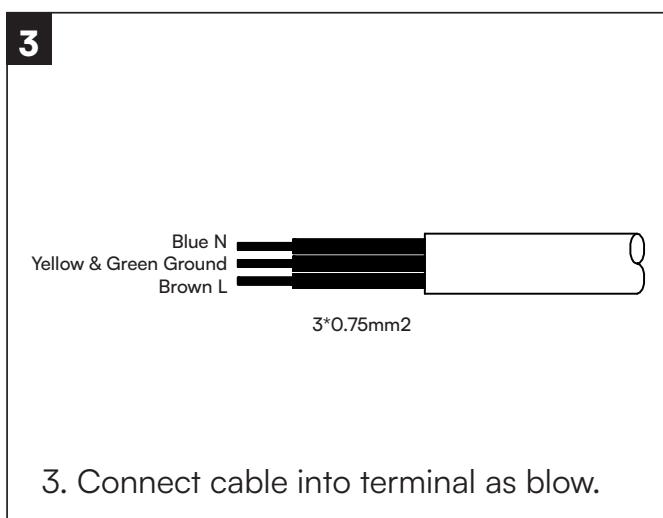
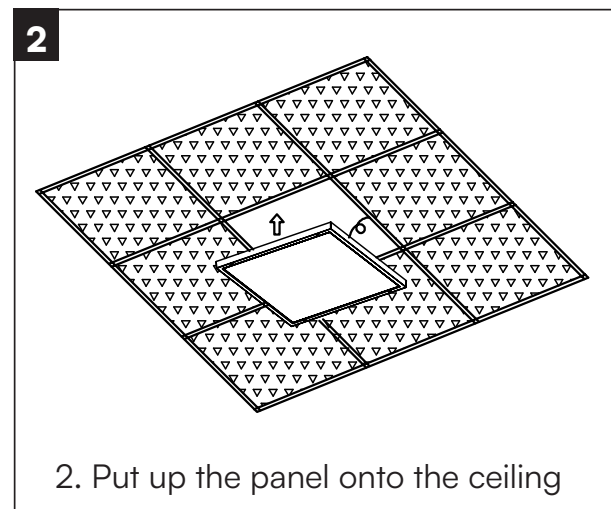
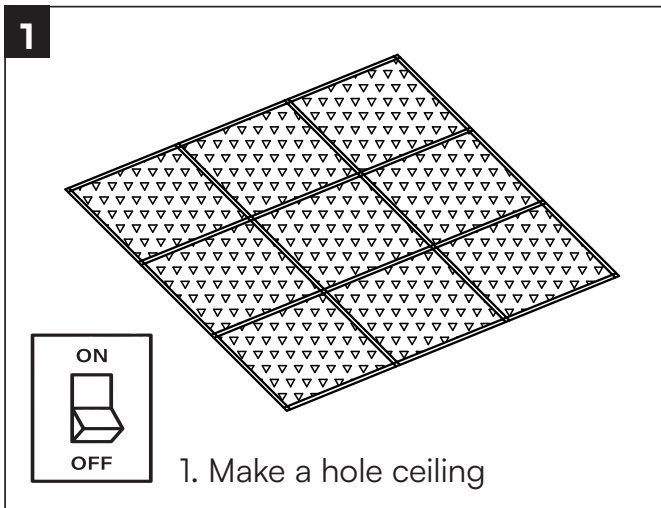
Caution, Risk of electric shock

## WARNING

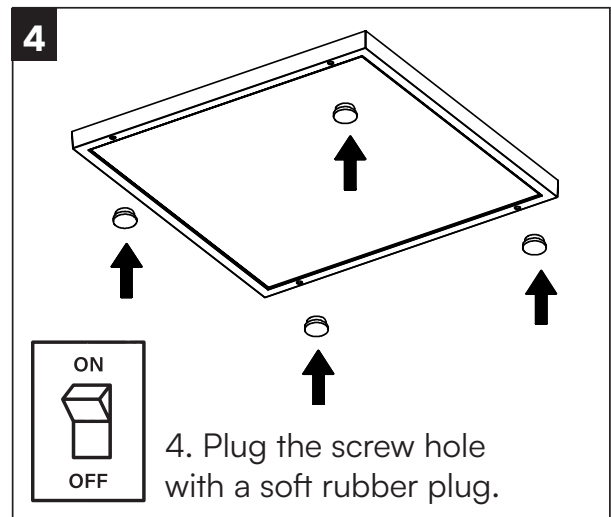
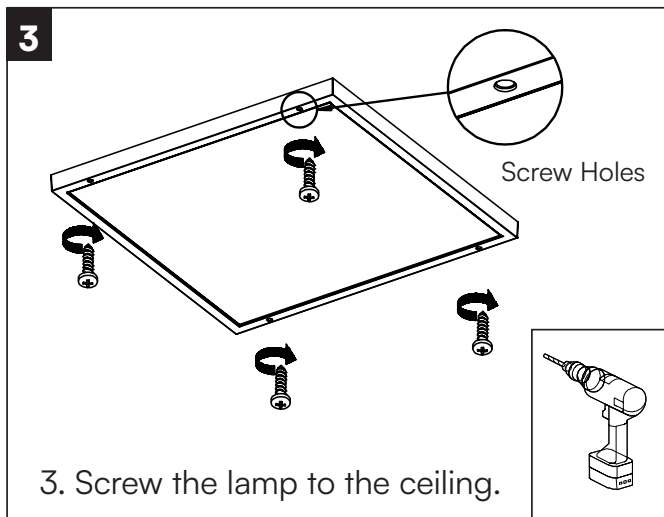
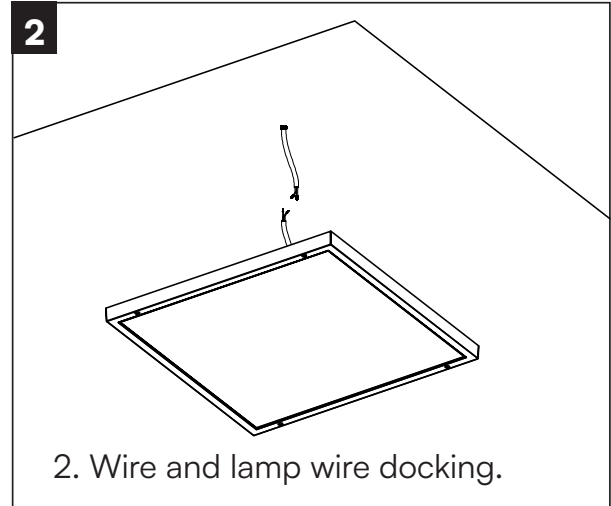
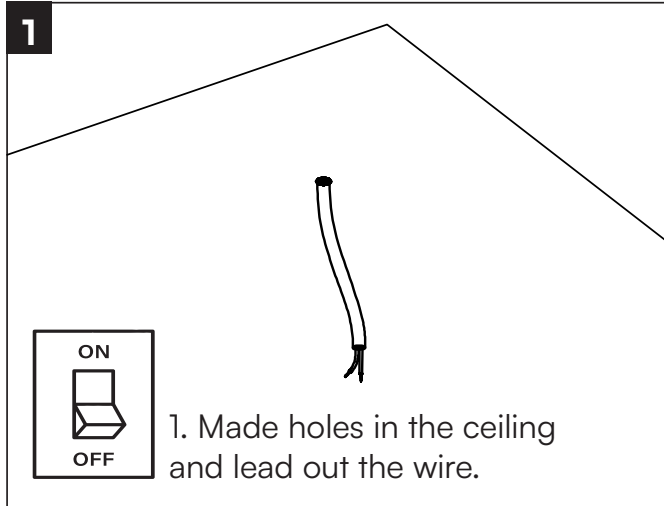
- Please make sure to turn off the power before starting the installation.
- Installation should only be done by a certified electrician.
- Terminal block not included.
- The light source of this luminaire is not replaceable, when the light source reaches its end of life the whole luminaire should be replaced.
- If the external flexible cable or cord of this luminaire is damaged, it shall be exclusively replaced by the manufacturer or his service agent or a similar qualified person in order to avoid a hazard.
- For Indoor use only.

## INSTALLATION INSTRUCTIONS

### RECESSED INSTALLATION



## SURFACE INSTALLATION



IN CASE OF ANY QUERY/ISSUE WITH THE PRODUCT, PLEASE REACH OUT TO US AT: [SUPPORT@V-TAC.EU](mailto:SUPPORT@V-TAC.EU)  
FOR MORE PRODUCTS RANGE, INQUIRY PLEASE CONTACT OUR DISTRIBUTOR OR NEAREST DEALERS.  
V-TAC EUROPE LTD. BULGARIA, PLOVDIV 4000, BUL.L.KARAVELOW 9B

IN CASE OF ANY QUERY/ISSUE WITH THE PRODUCT, PLEASE REACH OUT TO US AT: [SUPPORT@V-TAC.EU](mailto:SUPPORT@V-TAC.EU)  
FOR MORE PRODUCTS RANGE, INQUIRY PLEASE CONTACT OUR DISTRIBUTOR OR NEAREST DEALERS.  
V-TAC WEST EUROPE LTD. GROUND FLOOR, 71 LOWER BAGGOT STREET, DUBLIN 02, IRELAND DO2 P593

IN CASE OF ANY QUERY/ISSUE WITH THE PRODUCT PLEASE REACH OUT TO US AT  
[SUPPORT@VTACEXPORTS.COM](mailto:SUPPORT@VTACEXPORTS.COM) V-TAC HOUSE, KELPATRICK ROAD, SLOUGH, BERKSHIRE, SL1 6BW, UK.

RoHS



UK  
CA

