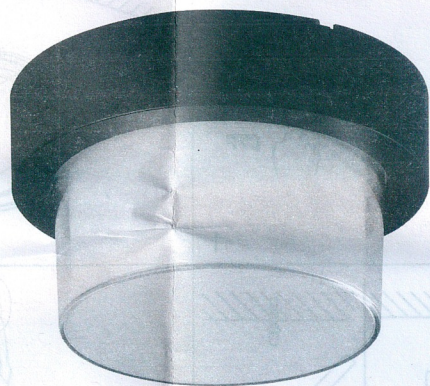


**INSTALLATION INSTRUCTION**

Model: VT-827  
**LED LIGHT**



**INTRODUCTION**

Thank you for selecting and buying V-TAC LED LIGHT. V-TAC will serve you the best. Please read these instructions carefully before starting the installation and keep this manual handy for future reference. If you have any other query, please contact our dealer or local vendor from whom you have purchased the product. They are trained and ready to serve you at the best.

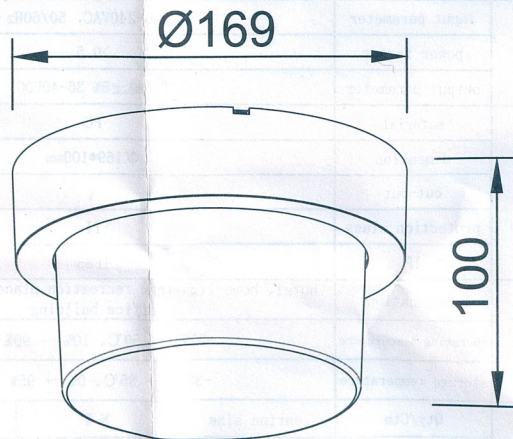
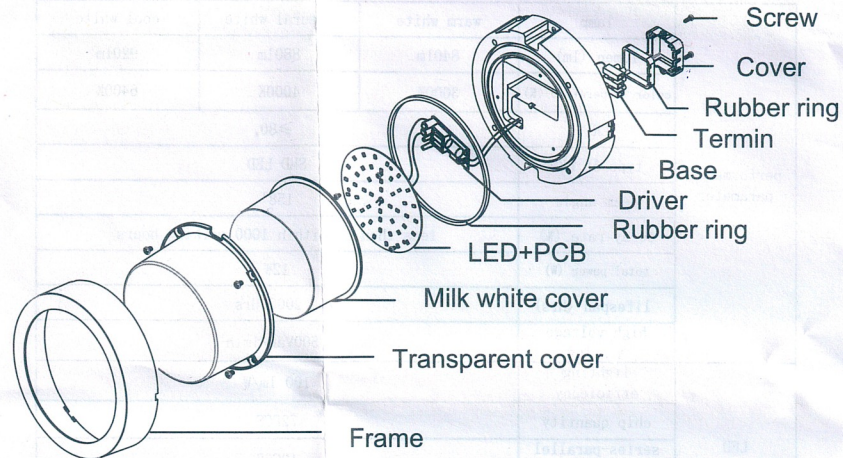
**TECHNICAL PARAMETERS**

二、Performance & parameter of product

	lamp	warm white	natural white	cool white
performance parameter	lumen (lm)	840lm	880lm	920lm
	color temperature (K)	3000K	4000K	6400K
	CRI	≥80		
	type of LED	SMD LED		
	beam angle	158°		
	decay rate (%)	less than 3% within 1000 working hours		
	total power (W)	12W		
	lifespan (Hrs)	≥20000Hrs		
	high voltage testing	1500Vac/1min		
	lighting efficiency	100 lm/W		
LED parameter	chip quantity	72PCS		
	series-parallel way	12C6B		
	voltage	25-42VDC		
	current	280mA		
driver parameter	input parameter	220-240VAC, 50/60Hz		
	power factor	>0.5		
	output parameter	280mA±5% 36-40VDC		
structure parameter	material	PC		
	dimension	Φ 169*100mm		
	cut-out	\		
	protection class	II		
	IP	IP65		
environment parameter	application	hotel, home-lighting, recreation place, supermarket, office building		
	operating temperature	-25℃ ~ 50℃, 10% ~ 90% R.H.		
	storage temperature	-30℃ ~ 85℃, 0% ~ 95% R.H.		
packing specification	Qty/Ctn	carton size	N.W	G.W



**STRUCTURE & SIZE**



**INSTALLATION INSTRUCTION**

Installation instructions:

- 1, Switch off the power.
- 2, To install and fix the fixture according to below steps.
- 3, Connect the power (220-240V0 if all the steps are done properly without any mistakes.

