

## INSTALLATION INSTRUCTION SOLAR LED FLOODLIGHT

### TECHNICAL DATA:

MODEL	VT-11108
LUMENS	950LM
WATTS	8W
NO. OF LEDs	64 PCS
BATTERY TYPE	3.7V Lithium Battery, 4000mah
BEAM ANGLE	120°
SENSING RANGE	<8 Meters
CHARGING TIME	5-6 Hours Sunlight Charging
WORKING TIME	Min 20 - Max 60 Hours
MATERIAL	ABS+PC



**IP65 RATING**  
**2 YEARS WARRANTY**

### INTRODUCTION & WARRANTY

Thank you for selecting and buying V-TAC product. V-TAC will serve you the best. Please read these instructions carefully before starting the installation and keep this manual handy for future reference. If you have any another query, please contact our dealer or local vendor from whom you have purchased the product. They are trained and ready to serve you at the best. The warranty is valid for 2 years from the date of purchase. The warranty does not apply to damage caused by incorrect installation or abnormal wear and tear. The company gives no warranty against damage to any surface due to incorrect removal and installation of the product. This product is warranted for manufacturing defects only.

### NOTICE & WARNING

1. This is a solar powered lamp, please install it in a location where can get enough sunshine.
2. Please note the lighting time depends on sunshine duration & weather.
3. The lamp will light up automatically at dusk.
4. Recommended installation height is 3~4Mtr.
5. The lamp is equipped with an internal battery pack, which is replace-able.

6. If any need, please contact seller for correct new battery pack.
7. Please connect the lamp to solar panel to get solar charging.
8. Built-in intelligent IC is with over-charge, over-discharge protection, safe and durable.
9. Non-professionals please do not disassemble the lamp.
10. Please do not dispose the battery with household garbage to avoid explosion.



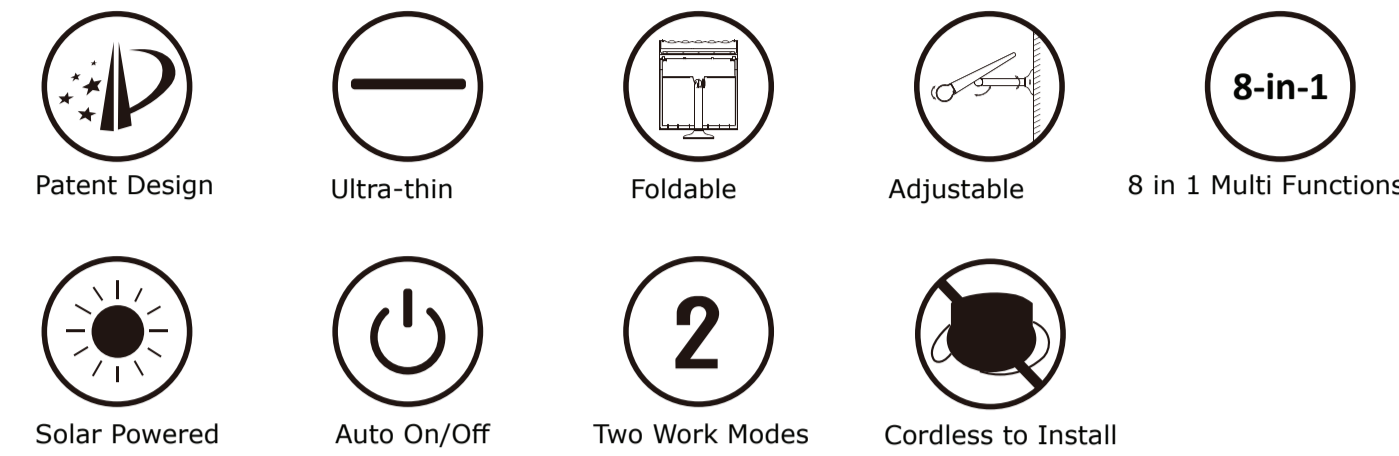
**MULTI-LANGUAGE  
MANUAL QR CODE**

Please scan the QR code to access the manual in multiple languages.

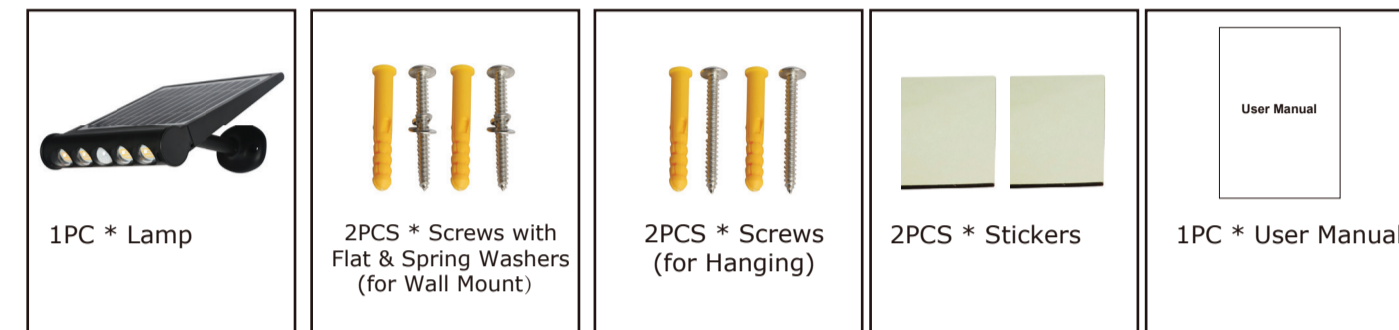
This marking indicates that this product should not be disposed of with other household wastes. Caution, risk of electric shock.



### FEATURES



### INSTALLATION DIAGRAM



### WIDE APPLICATIONS:

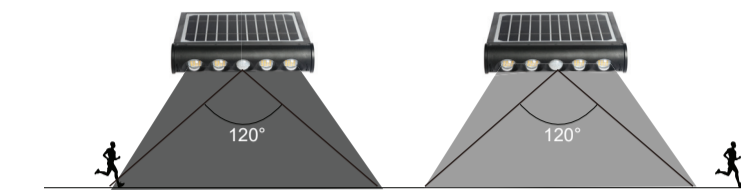
1. Integrated wall mount for garden, entrance, garage, courtyard, fence, campus etc.
2. Split wall mount for roof, corner, pathway, bus station, attic, pavilion etc.
3. Hanging for balcony light, emergency light etc.
4. Portable as flash light, camping light, emergency use etc.
5. Standable as work light, pillar light, ground light, wall washer light etc.
6. It can be magnetized on any flat metal surface for flexible use.
7. Lamp can be stucked directly for flexible use.

### TWO OPTIONAL WORKING MODES

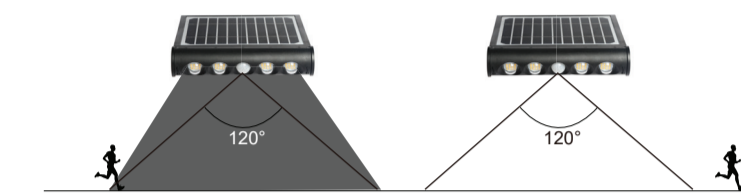


- Please rotate the lamp head and press the button to select working mode.
1. Press the button 1st time, lamp turns on to Mode A.
  2. Press the button 2nd time, lamp shines once and turns to Mode B.
  3. Press the button 3rd time, lamp turns off.

### MODE A:



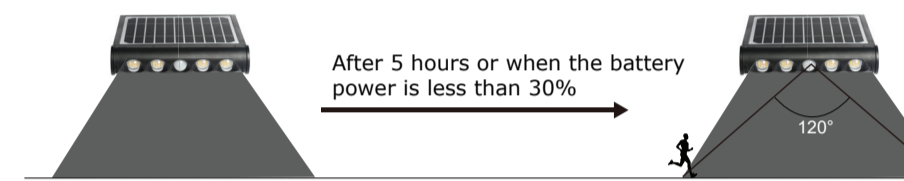
When battery power is more than 30% : Lamp automatically lights up at night and turns to 100% brightness when motion is detected in the range  $\leq 8\text{mtr}$ , then dim to lower brightness after 20 seconds of no motion.



When battery power is less than 30% : Lamp automatically lights up at night and turns to 100% brightness when motion is detected in the range  $\leq 8\text{mtr}$ , then turns off after 20 seconds of no motion.

### MODE B:

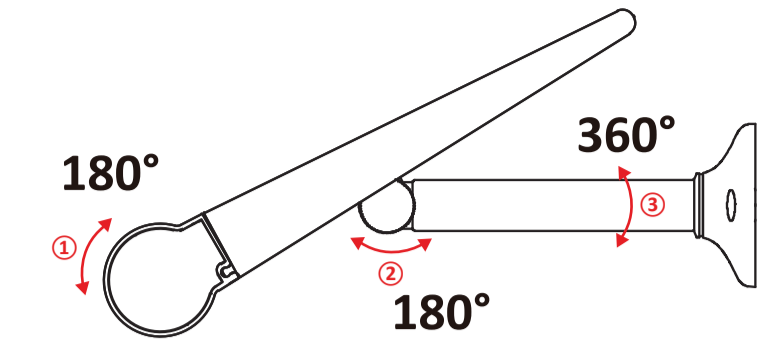
Lamp automatically lights up at night and keep 100% brightness, after 5 hours or when battery power is less than 30%, lamp turns to Energy Saving Mode: Lamp automatically turns to 100% brightness when motion is detected in the range  $\leq 8\text{mtr}$ , then turns off after 20 seconds of no motion.



### KIND REMIND:

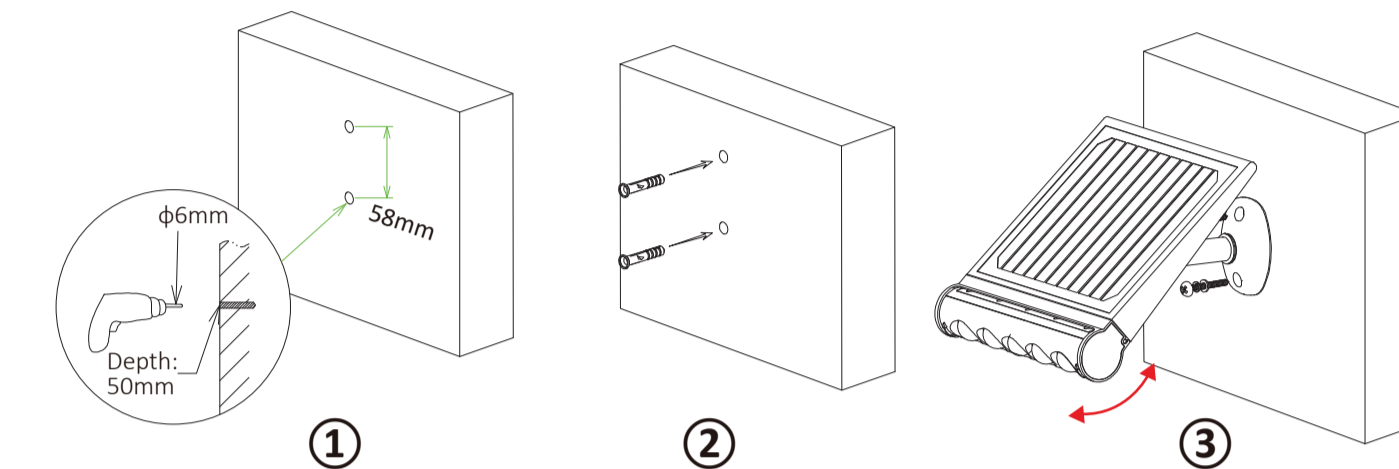
When the lamp is not connected to the solar panel, the light sensor is disabled. Whether it is day or night, the lamp will stay on after it is turned on.

### INSTALLATIONS:



- ① Rotate the lamp head to adjust lighting directions, 180° adjustable.
- ② Rotate the screw to adjust solar panel vertically, 180° adjustable.
- ③ Hold the lamp base and rotate the lamp post to adjust whole lamp angle, 360° adjustable.

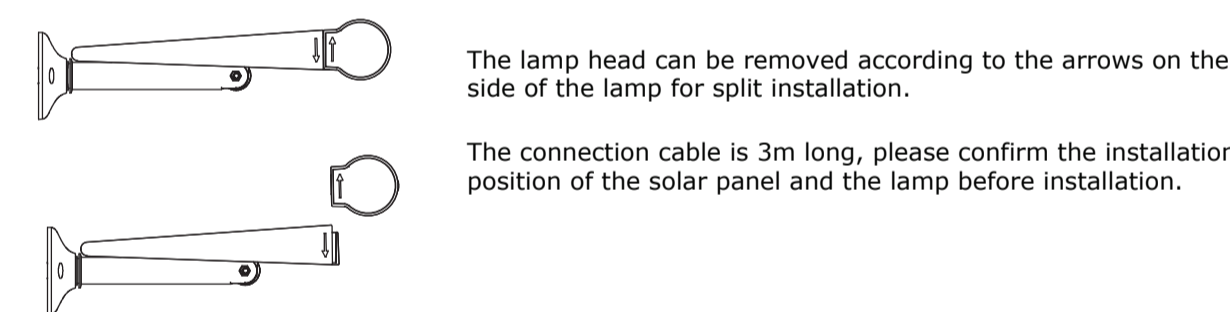
### INSTALLATION A: INTEGRATED WALL MOUNT



The recommended mounting height is 2-4Mtrs.

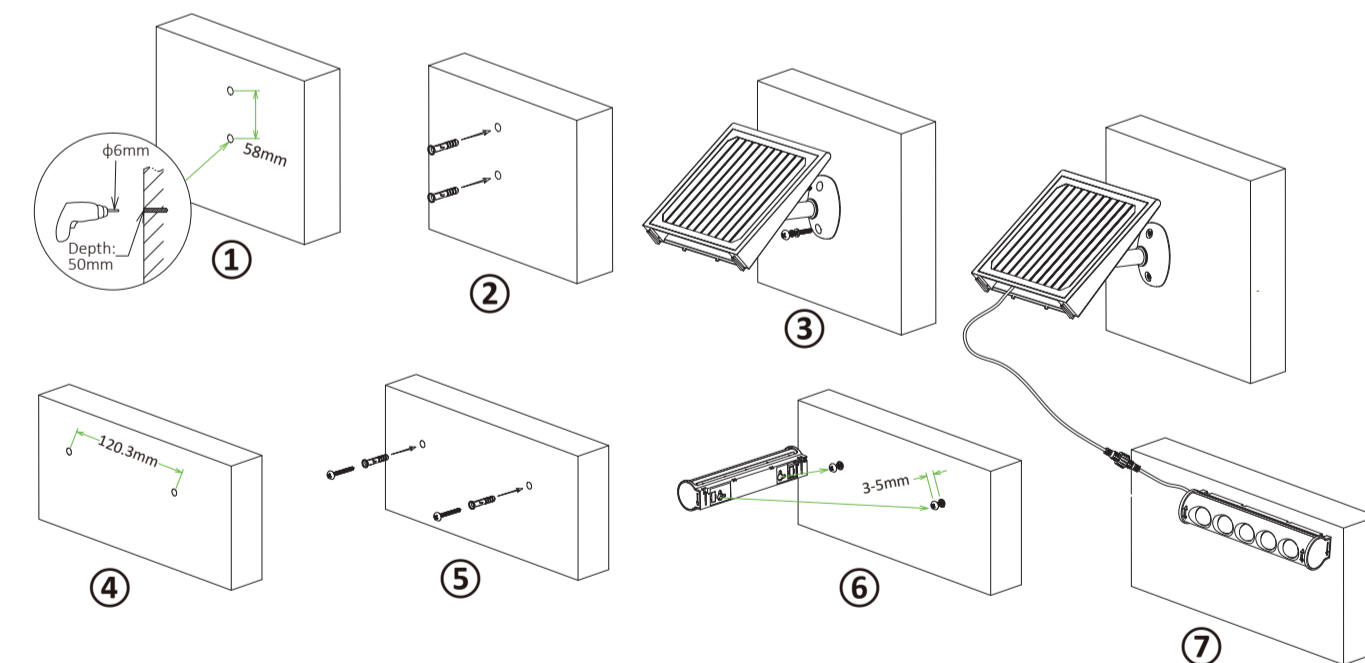
- ① Drill 2 holes (φ6mm, depth 50mm) with a spacing of 58mm.
- ② Fix the expansion plugs in the holes.
- ③ Use screws with flat & spring washers to fix the lamp on the wall. Adjust solar panel angle and lighting direction as needed.

### INSTALLATION B: SPLIT WALL MOUNT



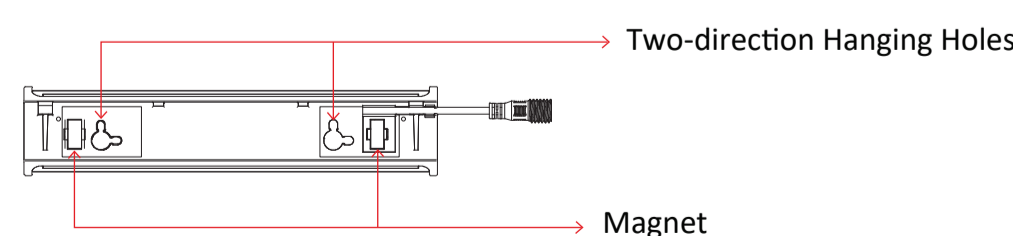
The lamp head can be removed according to the arrows on the side of the lamp for split installation.

The connection cable is 3m long, please confirm the installation position of the solar panel and the lamp before installation.

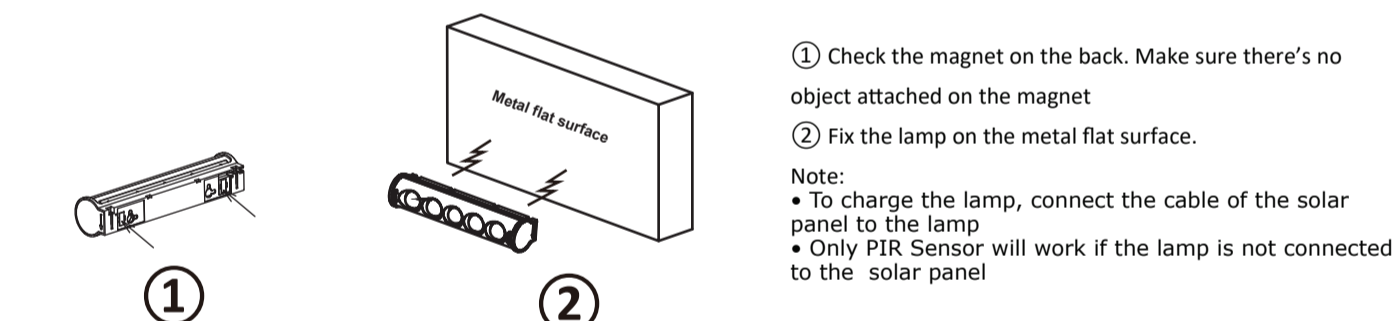


- ① Drill 2 holes (φ6mm, depth 50mm) with a spacing of height 58mm.
- ② Fix the expansion plugs in the holes.
- ③ Use screws with flat & spring washers to fix the lamp on the wall.
- ④ Drill 2 holes (φ6mm, depth 50mm) with a spacing of width 120.3mm.
- ⑤ Fix the expansion plugs in the holes, then fix the screws into the expansion plugs, keeping the screws protruding 3-5mm.
- ⑥ Hang the lamp on the screws.
- ⑦ Connect the cable of the solar panel to the lamp.

### MORE OPTIONAL INSTALLATION



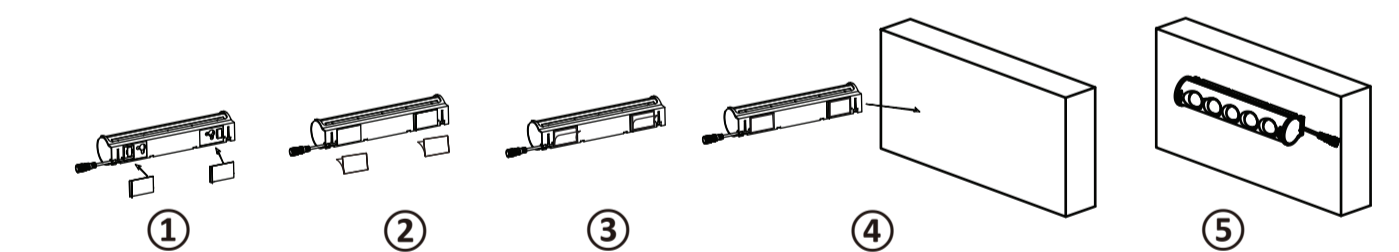
### INSTALLATION C: LAMP WALL MOUNT WITH MAGNET



- ① Check the magnet on the back. Make sure there's no object attached on the magnet.
- ② Fix the lamp on the metal flat surface.

Note:  
• To charge the lamp, connect the cable of the solar panel to the lamp  
• Only PIR Sensor will work if the lamp is not connected to the solar panel

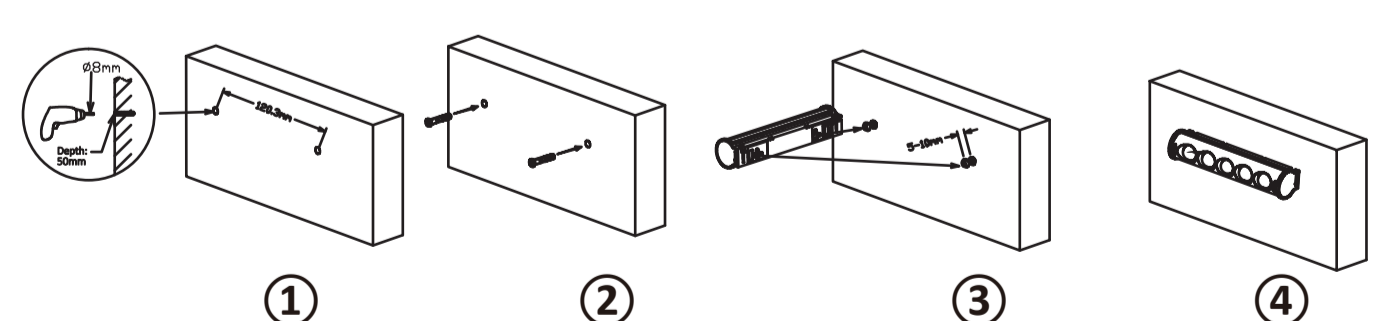
### INSTALLATION D: LAMP WALL MOUNT WITH STICKER



- ① Fix the position of the sticker on the lamp
- ② Place 2 stickers properly onto the Two-direction Hanging Holes of the lamp
- ③ Remove the sticker cover on the lamp
- ④ Fix the lamp on the wall.
- ⑤ Turn on the light and test the lamp

Note:  
• To charge the lamp, connect the cable of the solar panel to the lamp  
• Sensor will not work if the lamp is not connected in solar panel

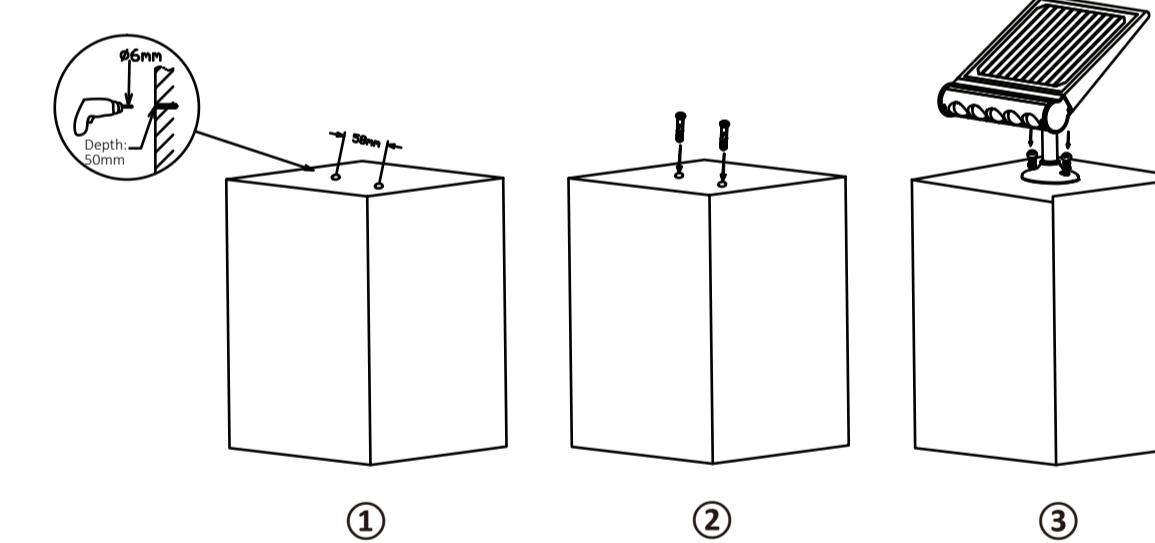
### INSTALLATION E: LAMP WALL MOUNT WITH SCREWS



- ① Drill 2 holes (φ8mm, depth 50mm) with a spacing of 120.3mm.
- ② Fix the expansion plugs in the holes.
- ③ Fix the lamp on the wall.
- ④ Turn on the light and test the lamp

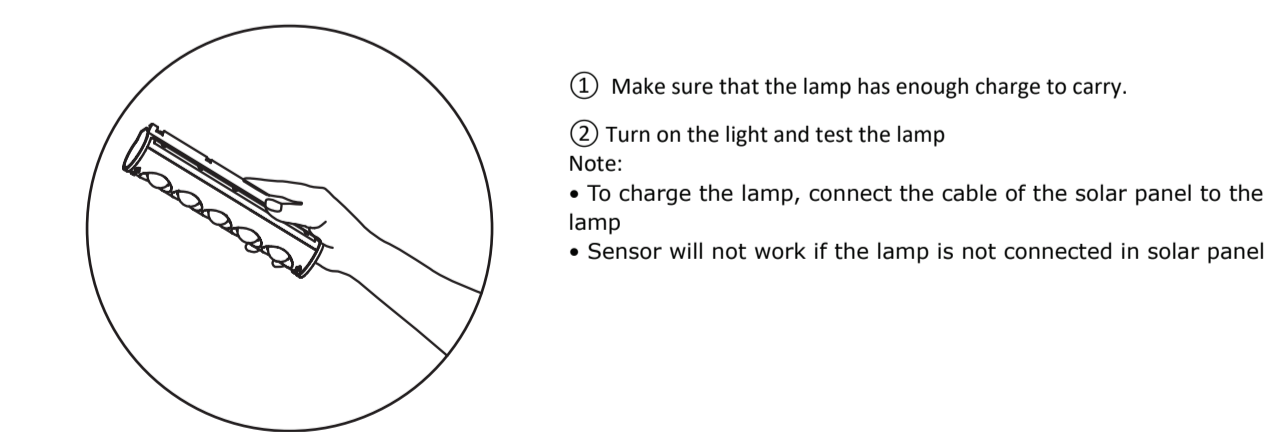
Note:  
• To charge the lamp, connect the cable of the solar panel to the lamp  
• Sensor will not work if the lamp is not connected in solar panel

### INSTALLATION E: PILLAR MOUNT



- ① Drill 2 holes (φ8mm, depth 50mm) with a spacing of 120.3mm.
- ② Fix the expansion plugs in the holes.
- ③ Use screws with flat & spring washers to fix the lamp on the ground. Adjust solar panel angle and lighting direction as needed.

### PORTABLE LAMP



- ① Make sure that the lamp has enough charge to carry.
  - ② Turn on the light and test the lamp
- Note:  
• To charge the lamp, connect the cable of the solar panel to the lamp  
• Sensor will not work if the lamp is not connected in solar panel

IN CASE OF ANY QUERY/ISSUE WITH THE PRODUCT, PLEASE REACH OUT TO US AT: SUPPORT@V-TAC.EU  
FOR MORE PRODUCTS RANGE, INQUIRY PLEASE CONTACT OUR DISTRIBUTOR OR NEAREST DEALERS. V-TAC EUROPE LTD. BULGARIA, PLOVDIV 4000, BUL.L.KARAVELOW 9B