

INSTALLATION INSTRUCTION

LED SOLAR SPIKE LIGHT

TECHNICAL DATA:

MODEL	VT-11032
LUMENS	90LM
POWER	1.2Wx3
BEAM ANGLE	60°
LAMP DIMENSION	Ø60x75x250mm
BATTERY CAPACITY	DC: 3.7V, 4000mAh, Li-ion



SOLAR PANEL DATA:

SOLAR PANEL WATTS	5W, DC: 5.5V, POLYCRYSTALLINE
CHARGING TIME	4-6 Hours
WORKING TIME	3-12 Hours
SOLAR DIMENSION	280x135x177mm



IP65
RATING

3 YEARS
WARRANTY*

INTRODUCTION & WARRANTY

Thank you for selecting and buying V-TAC product. V-TAC will serve you the best. Please read these instructions carefully before starting the installation and keep this manual handy for future reference. If you have any another query, please contact our dealer or local vendor from whom you have purchased the product. They are trained and ready to serve you at the best. The warranty is valid for 3 years from the date of purchase. The warranty does not apply to damage caused by incorrect installation or abnormal wear and tear. The company gives no warranty against damage to any surface due to incorrect removal and installation of the product. This product is warranted for manufacturing defects only.



This marking indicates that this product should not be disposed of with other household wastes.



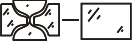
Non-replaceable light source



Caution, risk of electric shock.



WARNING!

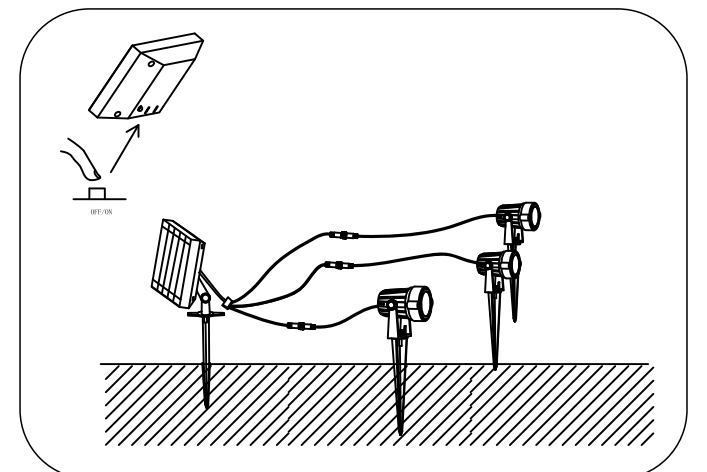
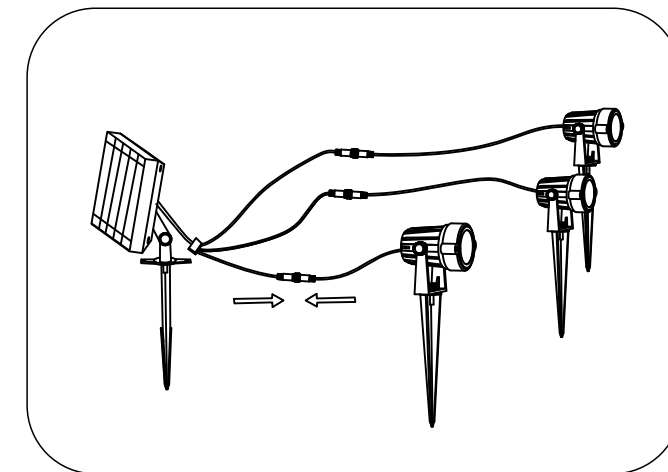
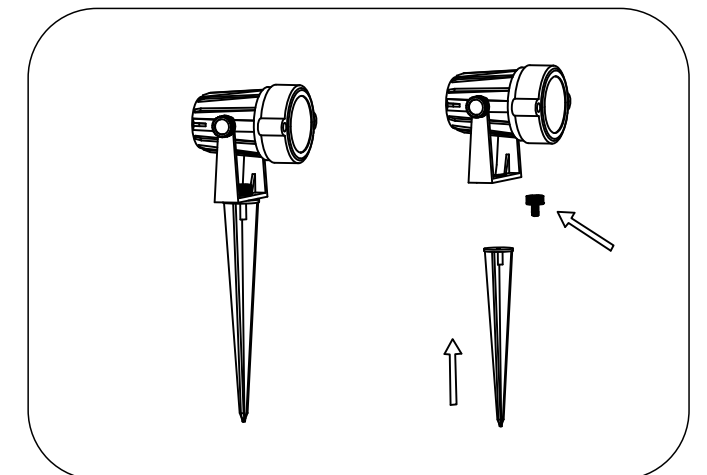
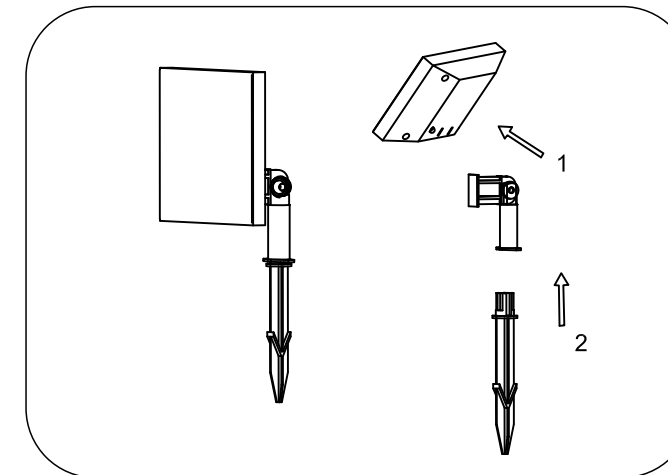
1. Installation must be performed by a qualified person.
2. The light source of this luminaire is not replaceable, when the light source reaches its end of life the whole luminaire should be replaced.
3. Replace any cracked protective shield. 
4. Don't immerse in the water
5. Luminaire cannot be installed in low-lying areas, so as not to soak.



**MULTI-LANGUAGE
MANUAL QR CODE**

Please scan the QR code to access the manual in multiple languages.

INSTALLATION DIAGRAM



INSTALLATION INSTRUCTIONS

1. Fix the Solar Panel & Lights on the grass using the ground spike
2. Connect wires properly.
3. Adjust the direction of the Solar panel and the lights.
4. Switch on the solar light using the on/off button on the back side of the solar panel.

MAINTENANCE

- Clean the light with a dry, lint-free cloth.
- Check the solar panel for dirt regularly. If dirt or is present remove it to guarantee flawless function of the product.
- Especially during the winter, keep the product free from snow and ice.
- Confirm installation direction is correct.
- Confirm no objects blocking the solar panel to receive sunlight