



Meaningful Innovation.

WEEE Number: 80133970

INSTRUCTION MANUAL

LED WALL LIGHT

TECHNICAL DATA

MODEL	VT-2502
SKU	10584, 10585 10586, 10587
POWER	2 W
LUMEN	200 Lm
CRI	≥80
LIFE SPAN	30,000 Hours
ON/OFF CYCLE	15,000
BEAM ANGLE	60°
COLOUR TEMPERATURE	3000K
INPUT VOLTAGE	AC: 100-265V, 50/60Hz
UNIT COLOUR	Black
MATERIAL	Aluminium
DIMENSION	42x40mm



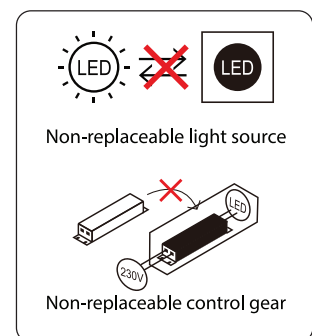
02 YEAR WARRANTY* **IP54** RATING

INTRODUCTION & WARRANTY

Thank you for selecting and buying V-TAC product. V-TAC will serve you the best. Please read these instructions carefully before starting the installation and keep this manual handy for future reference. If you have any other query, please contact our dealer or local vendor from whom you have purchased the product. They are trained and ready to serve you at the best. The warranty is valid for 2 years from the date of purchase. The warranty does not apply to damage caused by incorrect installation or abnormal wear and tear. The company gives no warranty against damage to any surface due to incorrect removal and installation of the product. The products are suitable for 10-12 Hours Daily operation. Usage of product for 24 Hours a day would void the warranty. This product is warranted for manufacturing defects only.

WARNING

1. Please make sure to turn off the power before starting the installation.
2. Installation must be performed by a qualified electrician.
3. The light source of this luminaire is not replaceable, when the light source reaches its end of life the whole luminaire should be replaced.
4. If the external flexible cable or cord of this luminaire is damaged, it shall be exclusively replaced by the manufacturer or his service agent or a similar qualified person in order to avoid a hazard.



MULTI-LANGUAGE MANUAL QR CODE

Please scan the QR code to access the manual in multiple languages.

In case of any query/issue with the product, please reach out to us at: support@v-tac.eu
For More products range, inquiry please contact our distributor or nearest dealers.
V-TAC EUROPE LTD. Bulgaria, Plovdiv 4000, bul.L.Karavelow 9B

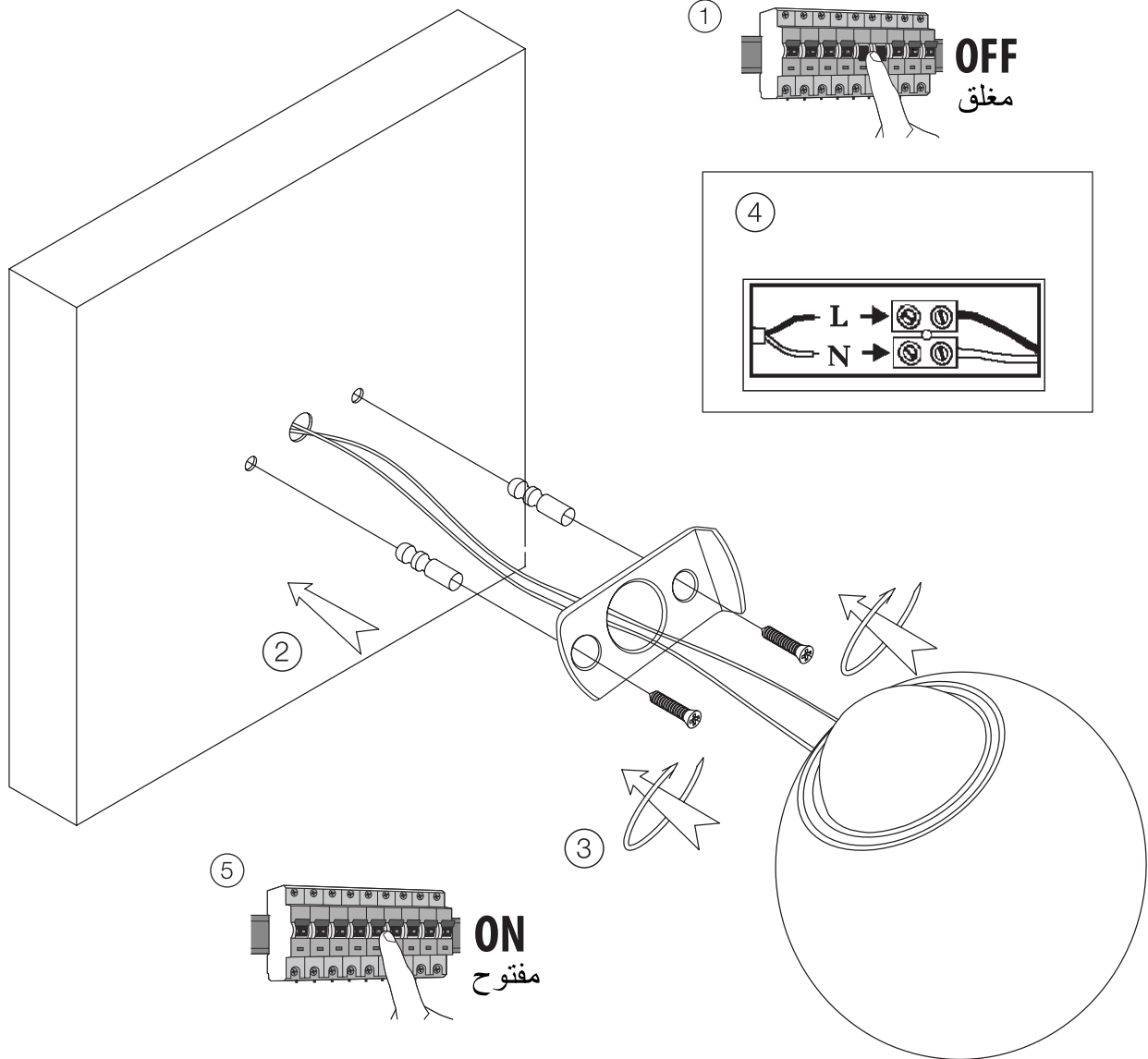


This marking indicates that this product should not be disposed of with other household wastes.



Caution, risk of electric shock.

INSTALLATION INSTRUCTION



1. Ensure that the power is off.
2. Drill the holes on the wall and install the base plate using screws.
3. Connect the light to the mains.
4. Install the light onto the plate.
5. Switch on the light and test.

RoHS



UK
CA



Not Dimmable



20
PAP