

INSTRUCTION MANUAL HYBRID SOLAR INVERTER



INTRODUCTION

Thank you for selecting and buying V-TAC Product. V-TAC will serve you the best. Please read these instructions carefully & keep this user manual handy for future reference. If you have any another query, please contact our dealer or local vendor from whom you have purchased the product. They are trained and ready to serve you at the best.



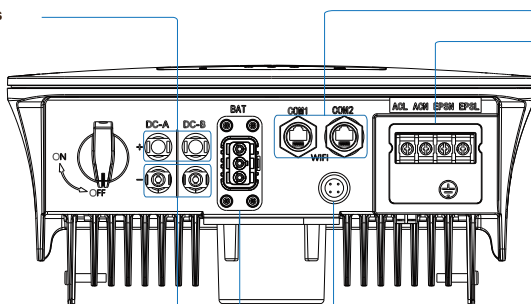
Multi-Language Manual QR CODE

Please scan the QR code to access the manual in multiple languages.

QUICK INSTALLATION GUIDE

OVERVIEW

DC Connectors (+) For PV Strings
DC Switch



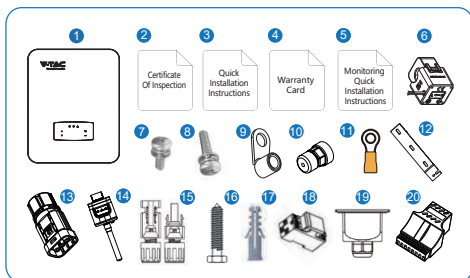
Communication Port
AC Port & EPS Port

DC Connectors (-) For PV Strings
Battery Port

Monitor Module Port

PACKAGE LIST

Please check to make sure the packing and all components are not missing or damaged. Please contact your dealer directly for supports if there is any damage or missing components.



No.	Qty	Items	No.	Qty	Items
1	1	Hybrid Inverter	11	1	Grounding Terminal
2	1	Certificate Of Inspection	12	1	Wall Mounting Bracket
3	1	Quick Installation Instructions	13	1	Battery Connector
4	1	Warranty Card	14	1	Monitor Module
5	1	Monitoring Quick Installation Instructions	15	1/2	DC Connector
6	1	CT	16	3	Mounting Bracket Screw
7	4	AC Wiring Cover Screw	17	3	Plastic Expansion Tube
8	1	Security Screw	18	1	Smart Meter (Optional)
9	4	AC Wiring Terminal	19	1	AC Waterproof Cover
10	2	Communication Connectors	20	1	Communication Adapter

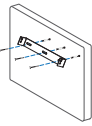
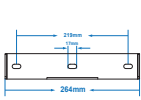


User Manual QR CODE

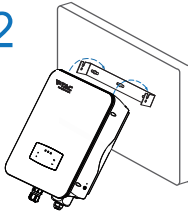
Please scan the QR code to access the manual in multiple languages.

MOUNTING

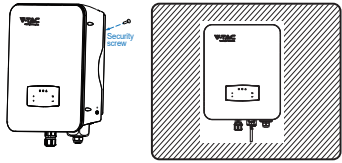
1



2

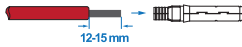


3

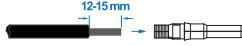


PV CONNECTION

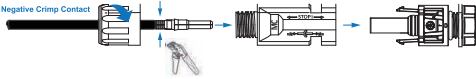
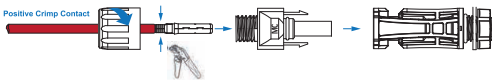
1



Note:
PV cable suggestion
Cross-section
4mm²



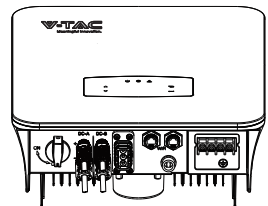
2



Note:
Please use PV connector crimper
to pinch the point of the arrow

Note:
You'll hear click sound when
the connector assembly is correct

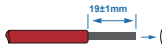
3



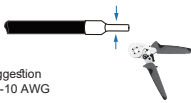
Warning:
The fatal high voltage may on the DC side, please
comply with electric safety when connecting.
Please make sure the correct polarity of the cable
connected with inverter, otherwise inverter could be
damaged.

BATTERY CONNECTION

1

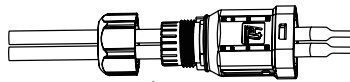


Note:
Battery cable suggestion
Cross - section 8-10 AWG



2

Pass the crimped battery harness through the waterproof
connector and the cover.



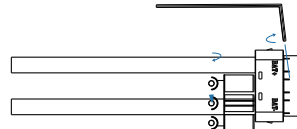
4

A "click" sound will be heard when the connector
assembly is correct.



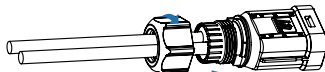
3

Insert the wire harness into the terminals according to "+" and "-" polarity,
make the insulated terminals parallel with the terminals , the crimping
screw torque is 2.0±0.1N.m



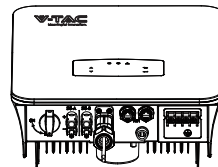
5

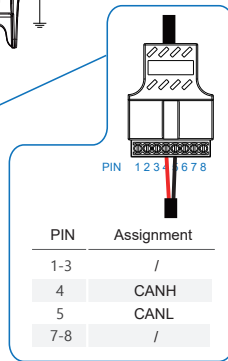
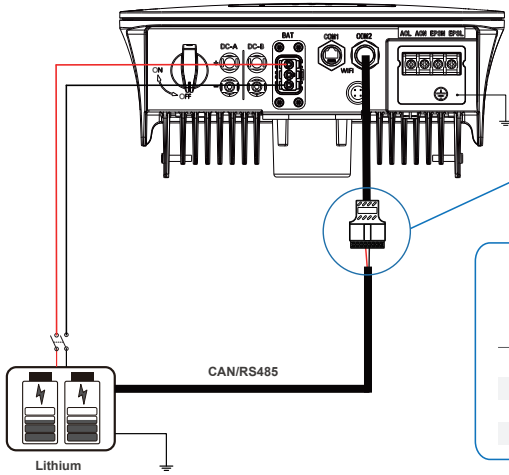
Use an open-end wrench to tighten the waterproof lock.



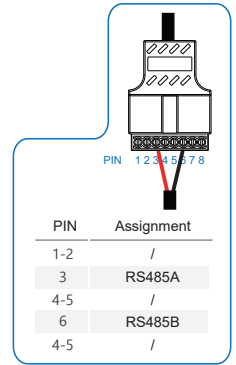
6

Insert the battery connector into the inverter, if hear a "click",
it means the battery connection is finished.



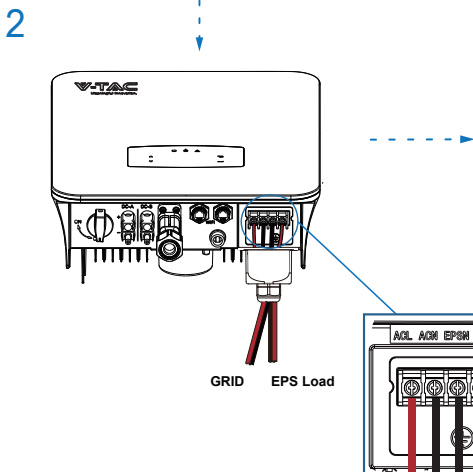
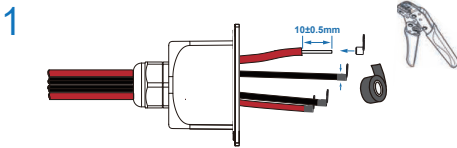


CAN-485



BAT-485

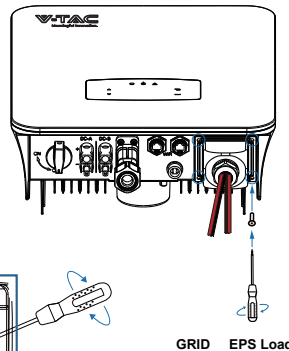
GRID AND EPS CONNETION



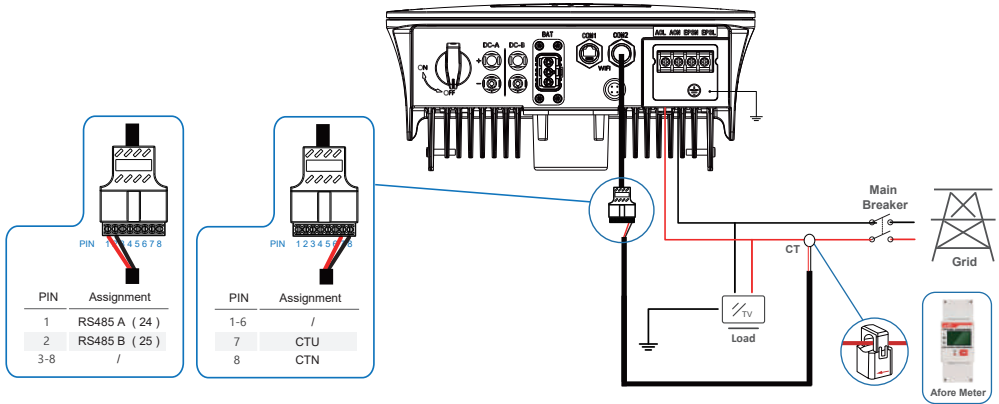
Note:
 ⚠ Cable suggestion Cross-section 8-10AWG.

Note:
 ⚠ The Max. power load connects to EPS port should not exceed the inverter's EPS Max. output power range.

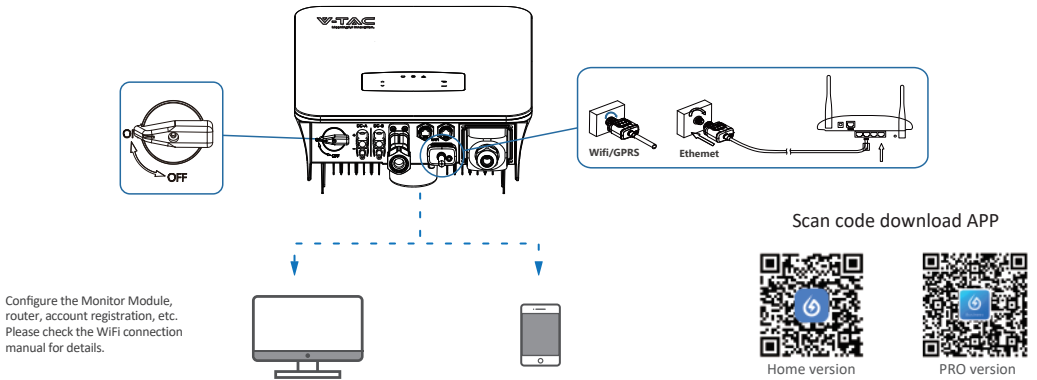
Note:
 ⚠ The wiring terminals should be wrapped with insulation tape, otherwise it will cause a short circuit and damage the inverter.



CT OR METER CONNECTION

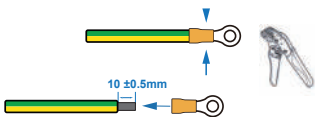


WIFI CONNECTION



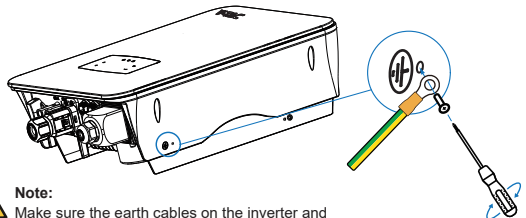
GROUND CONNECTION

1



2

Fix the grounding screw to the grounding connection of the machine housing.



Note:
Earth cable PE suggestion:
Cross-section (Copper) 4-6mm² / 10AWG

Note:
Make sure the earth cables on the inverter and solar panel frame are separately.

WARNING

1. Please make sure to turn off the power before starting the installation.
2. Installation must be performed by a qualified electrician.



1. All work on the inverter must be carried out by qualified electricians.
2. The PV panels and inverter must be connected to the ground.
3. Do not touch the inverter cover until 5 minutes after disconnecting both DC and AC power supply.
4. Do not touch the inverter enclosure when operating, keep away from materials that may be affected by high temperatures.
5. Please ensure that the used device and any relevant accessories are disposed of in accordance with applicable regulations.
6. VTAC inverter should be placed upwards and handled with care in delivery. Pay attention to waterproof. Do not expose the inverter directly to water, rain, snow or spray.
7. Alternative uses, modifications to the inverter not recommended. The warranty can become void if the inverter was tampered with or if the installation is not in accordance with the relevant installation instructions.

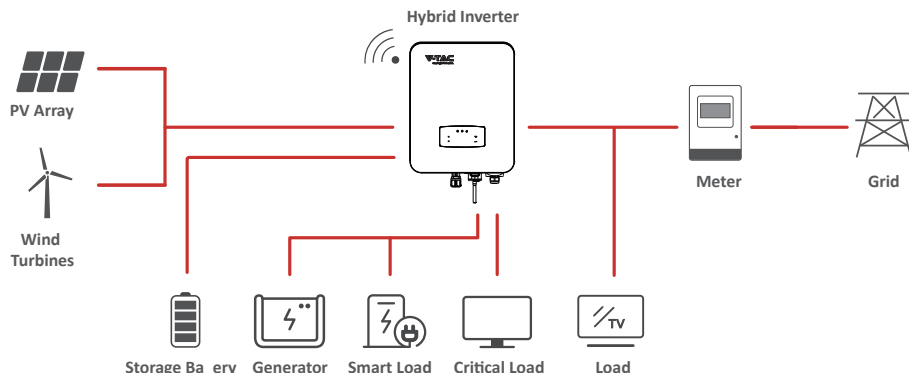
EXPLANATION OF SYMBOL

Symbol	Explanation
	CE mark. The inverter complies with the requirements of the applicable CE guidelines.
	Beware of hot surface The inverter's housing may reach uncomfortably hot 60°C (140°F) under high power operation. Do not touch the inverter enclosure when operation.
	Danger of high voltages. Danger to life due to high voltages in the inverter!
	Residual power discharge Do not open the inverter cover until 5 minutes after disconnection both DC and AC power supply.
	Do not dispose of this device with the normal domestic waste.
	Refer to manual before service
	Important notes Read all instructions carefully. Failure to follow these instructions, warnings and precautions may lead to device malfunction or damage.

INTRODUCTION

www.led-italia.it

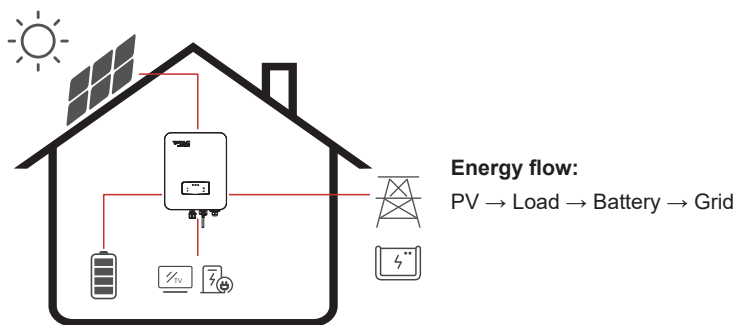
The VTAC Hybrid Solar Inverter series hybrid inverters are designed to increase energy independence for homeowners. Energy management is based on time-of-use and demand charge rate structures, significantly reduce the amount of energy purchased from the public grid and optimize self-consumption.



OPERATION MODES

Self-Use

The Self-Use mode is for the regions with low feed-in tariff and high electricity prices. The energy produced by the PV system is used to optimize self-consumption needs. The excess energy is used to recharge the batteries, any remaining excess is then exported to the grid.



Note: Advance Setting

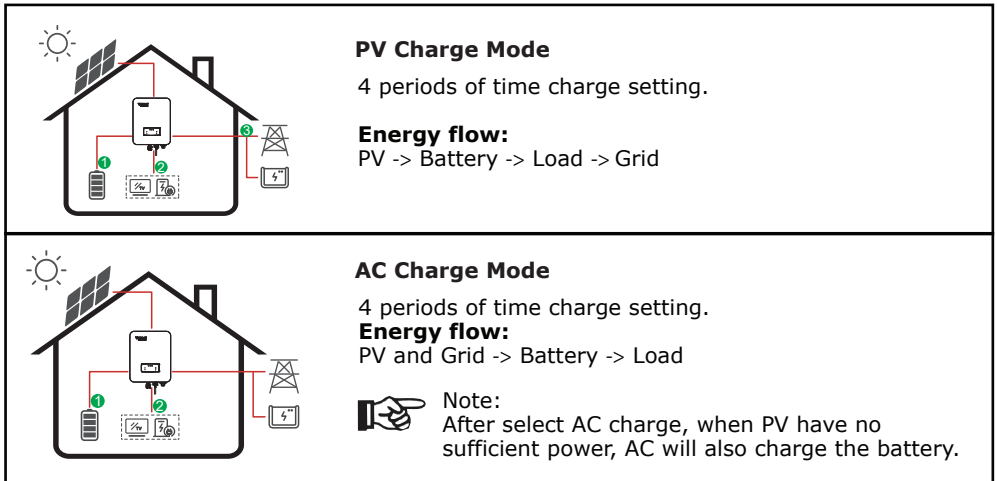
- When select 0 W under P_Feed menu, the inverter will export zero energy to the grid.
- When select xx W under P_Feed menu, the inverter will export customized energy to the grid.



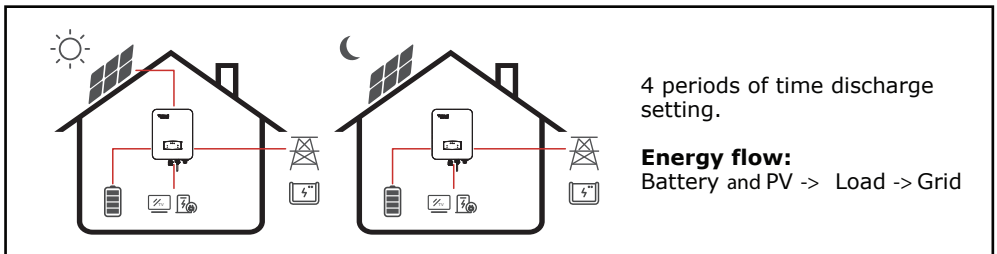
Time of Use

The Time of Use mode is designed to reward customers who do their part to reduce demand on the electric grid, particularly during peak usage periods. Use most of your electricity from PV energy and during off-peak time periods, and you could significantly lower your monthly bill.

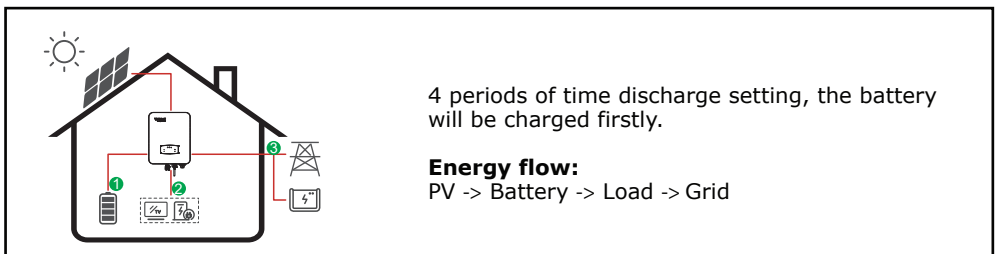
A. Charge Setting



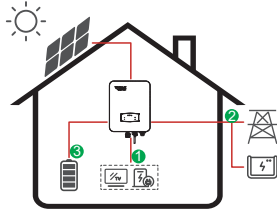
B. Discharge



C. Forbidden Discharge



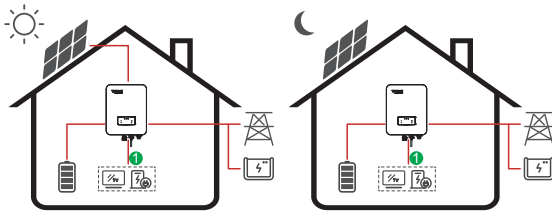
Selling First



The Selling First mode is suitable for the regions with high feed-in tariff.

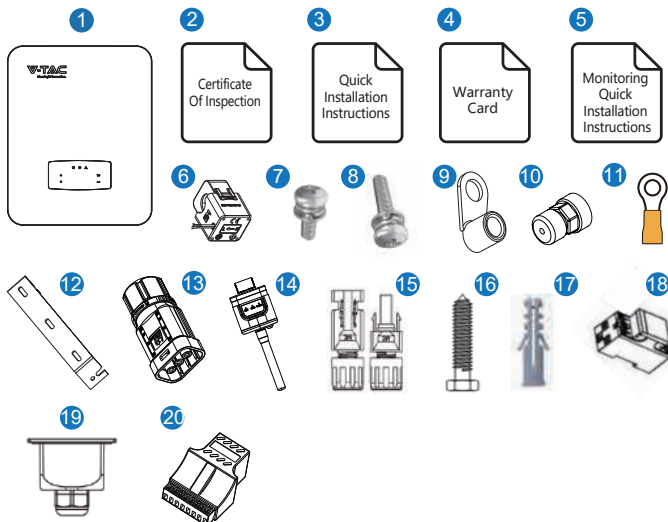
Energy flow:
PV -> Load -> Grid -> Battery

Back-Up



When the grid fails, the system will automatically switch to Back-Up mode. The back-up loads can be supplied by both PV and battery energy.

Energy flow:
PV and Battery -> Load



TERMINAL OF PV INVERTER

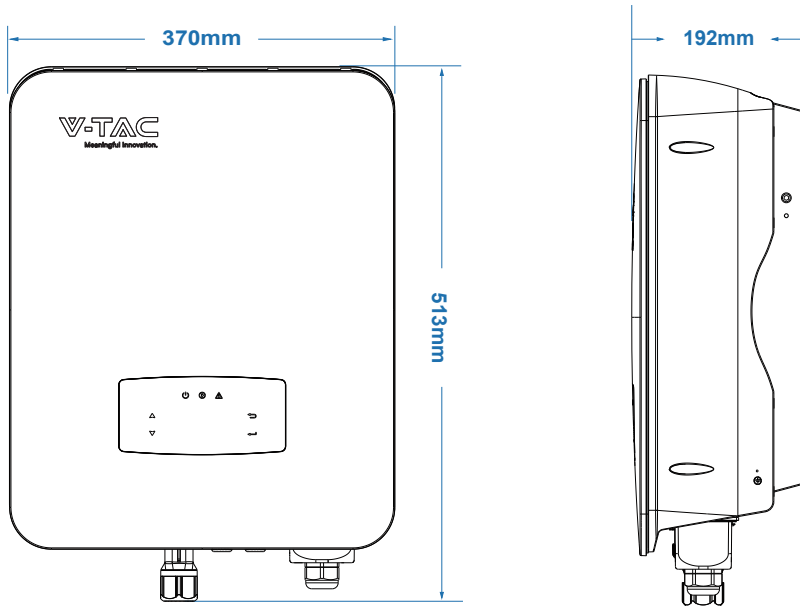
No.	Qty	Items
1	1	Hybrid Inverter
2	1	Certificate Of Inspection
3	1	Quick Installation Instructions
4	1	Warranty Card
5	1	Monitoring Quick Installation Instructions
6	1	CT
7	4	AC Wiring Cover Screw
8	1	Security Screw
9	4	AC Wiring Terminal
10	2	Communication Connectors

No.	Qty	Items
11	1	Grounding Terminal
12	1	Wall Mounting Bracket
13	1	Battery Connector
14	1	Monitor Module
15	1/2	DC Connector
16	3	Mounting Bracket Screw
17	3	Plastic Expansion Tube
18	1	Smart Meter (Optional)
19	1	AC Waterproof Cover
20	1	Communication Adapter

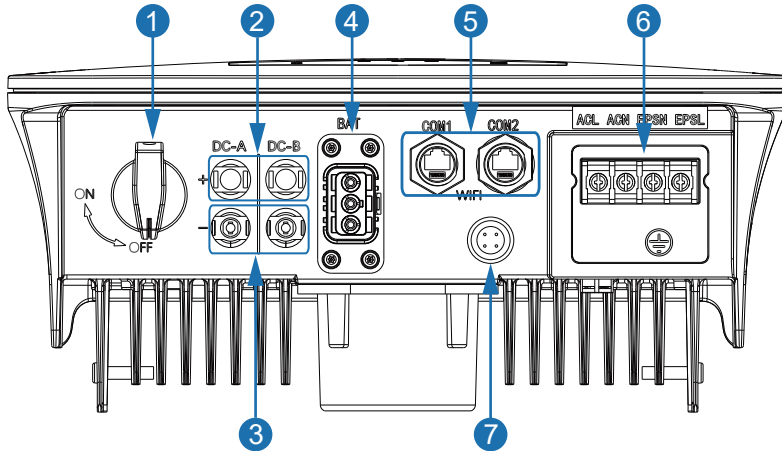


Note:
DC connectors Qty.: VT-66036103 is 2 pairs.

PRODUCT OVERVIEW



INVERTER TERMINALS

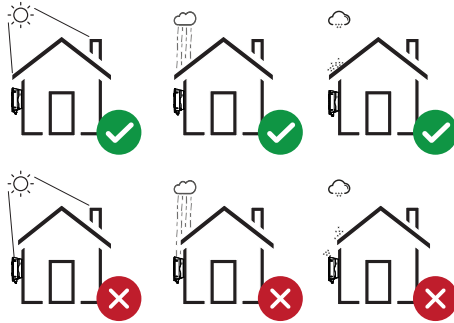


No.	Items
1	DC Switch
2	DC Connectors (+) For PV Strings
3	DC Connectors (-) For PV Strings
4	Battery Port
5	Communication Port
6	AC Port & EPS Port
7	Monitor Module Port

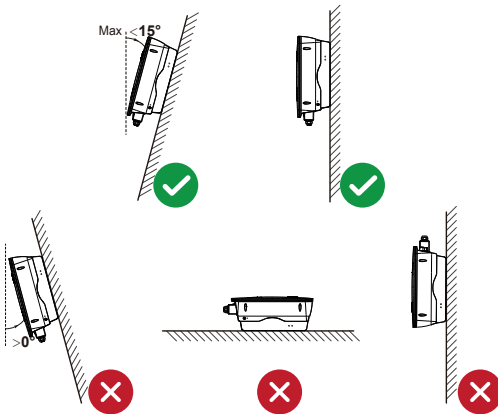
Mounting Location

The inverters are designed for indoor and outdoor installation (IP65), to increase the safety, performance and lifespan of the inverter, please select the mounting location carefully based on the following rules:

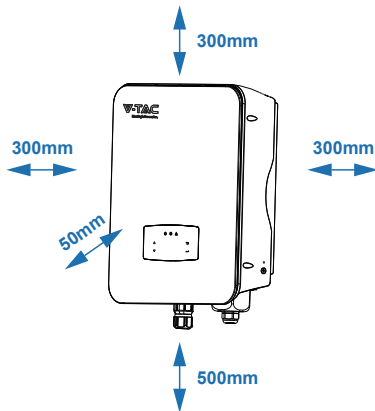
- The inverter should be installed on a solid surface, far from flammable or corrosion materials, where is suitable for inverter's weight and dimensions.
- The ambient temperature should be within $-25^{\circ}\text{C} \sim 60^{\circ}\text{C}$ (between -13°F and 140°F).
- The installation of inverter should be protected under shelter. Do not expose the inverter to direct sunlight, water, rain, snow, spray lightning, etc



The inverter should be installed vertically on the wall, or lean back on plane with a limited tilted angle. Please refer to below picture.

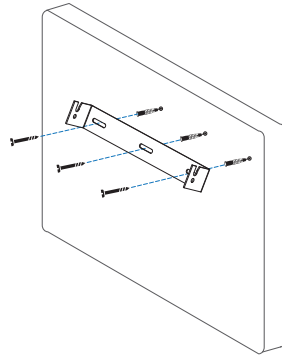
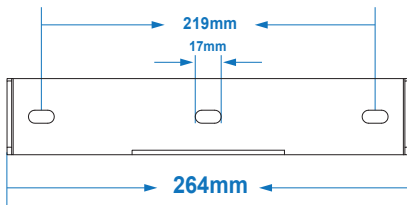


Leave the enough space around inverter, easy for accessing to the inverter, connection points and maintenance.

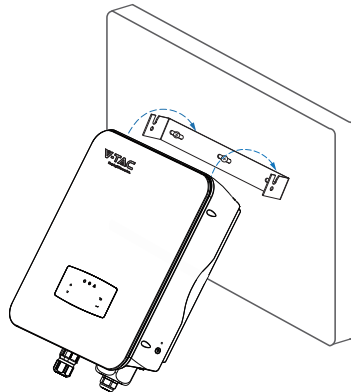


MOUNTING

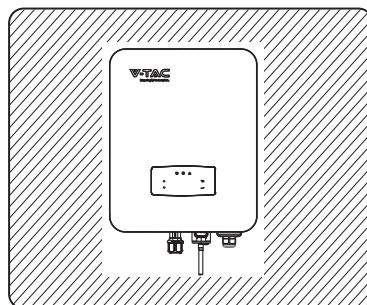
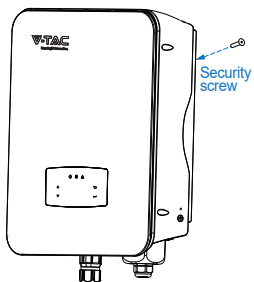
Step 1



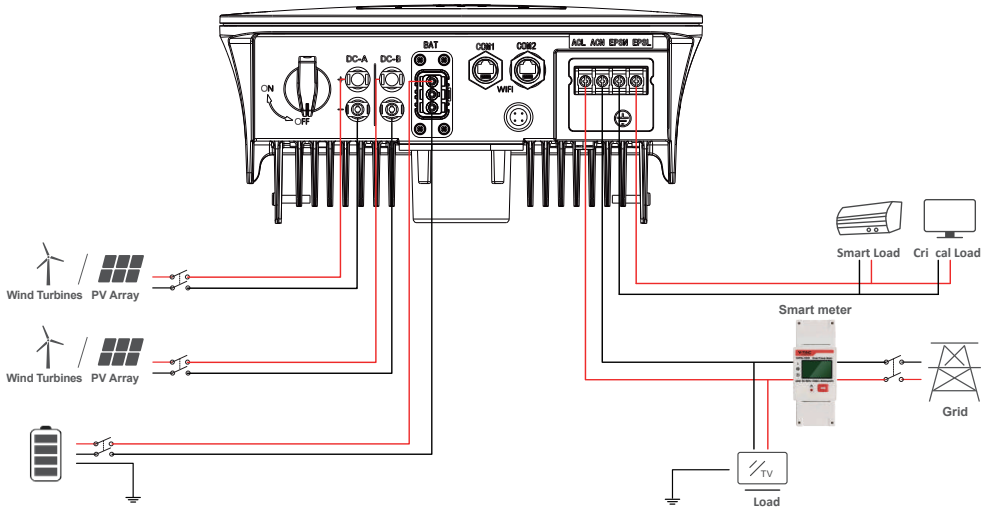
Step 2



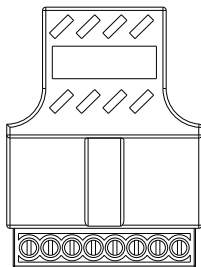
Step 3



ELECTRICAL CONNECTION



COMMUNICATION ADAPTER PIN ASSIGNMENT



12345678

No.	COM1	Items
1	NTC+	Meter 485A
2	NTC-	Meter 485B
3	Dry Contact	BAT 485A
4	Dry Contact	BAT CANH
5	DRM	BAT CANL
6	DRM	BAT 485B
7	485A	CTU
8	485A	CTN



Note:

For diesel generators or multi-machine parallel use, please contact the manufacturer, and provide installation and operation instructions separately

PV CONNECTION

The VT-66036103 series hybrid inverter has two MPPT channels, can be connected with two strings of PV panels. Please make sure below requirements are followed before connecting PV panels and strings to the inverter:

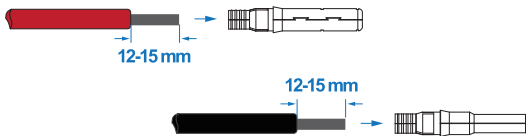
- The open-circuit voltage and short-circuit current of PV string should not exceed the reasonable range of the inverters.
- The isolation resistance between PV string and ground should exceed 300 k Ω .
- The polarity of PV strings are correct.
- Use the DC plugs in the accessory.
- The lightning protector should be equipped between PV string and inverter.
- Disconnect all of the PV (DC) switch during wiring.



Warning:

The fatal high voltage may on the DC side, please comply with electric safety when connecting. Please make sure the correct polarity of the cable connected with inverter, otherwise inverter could be damaged.

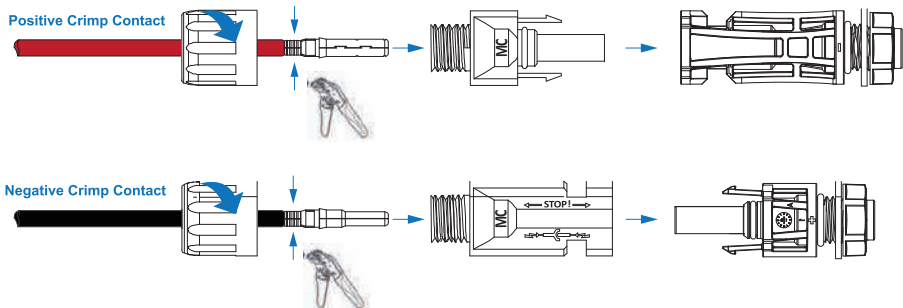
STEP 1:



Note:

PV cable suggestion Cross-section 4mm²

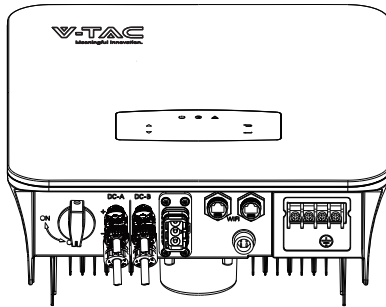
STEP 2:



Note:

Please use PV connector crimper to pinch the point of the arrow. You'll hear click sound when the connector assembly is correct.

STEP 3:



BATTERY CONNECTION

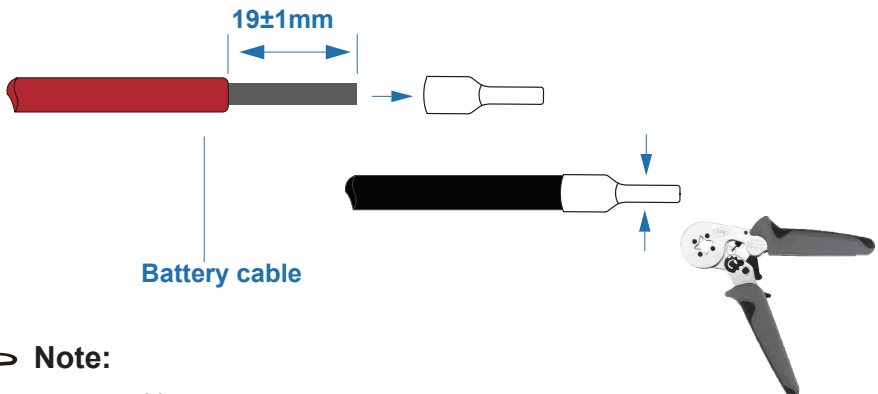
VT-6607106 hybrid inverters are compatible with lithium battery. For lead acid battery or batteries with other brands, please confirm with local distributor or VTAC for technical support.



Note:

Set battery type and manufacturer, please refer to Chapter 5.3. BMS(Battery Management System)communication is needed between inverter and battery.

STEP 1:

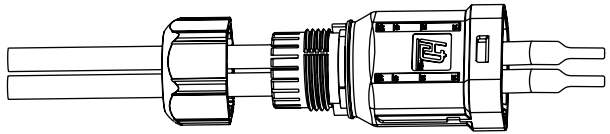


Note:

Battery cable suggestion Cross - section 8-10 AWG
Please make sure the battery polarities are correct.

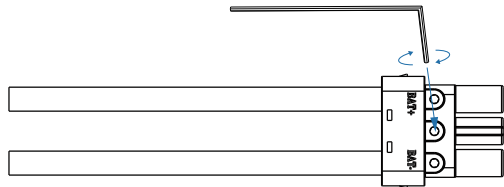
STEP 2:

Pass the crimped battery harness through the waterproof connector and the cover.



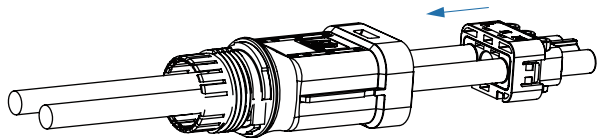
STEP 3:

Insert the wire harness into the terminals according to "+" and "-" polarity, make the insulated terminals parallel with the terminals, the crimping screw torque is $2.0 \pm 0.1 \text{ N.m}$



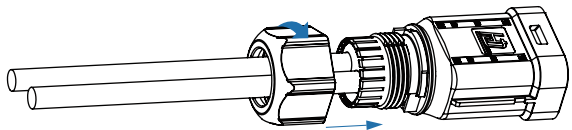
STEP 4:

A "click" sound will be heard when the connector assembly is correct.



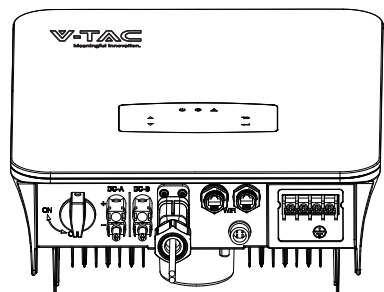
STEP 5:

Use an open-end wrench to tighten the waterproof lock.

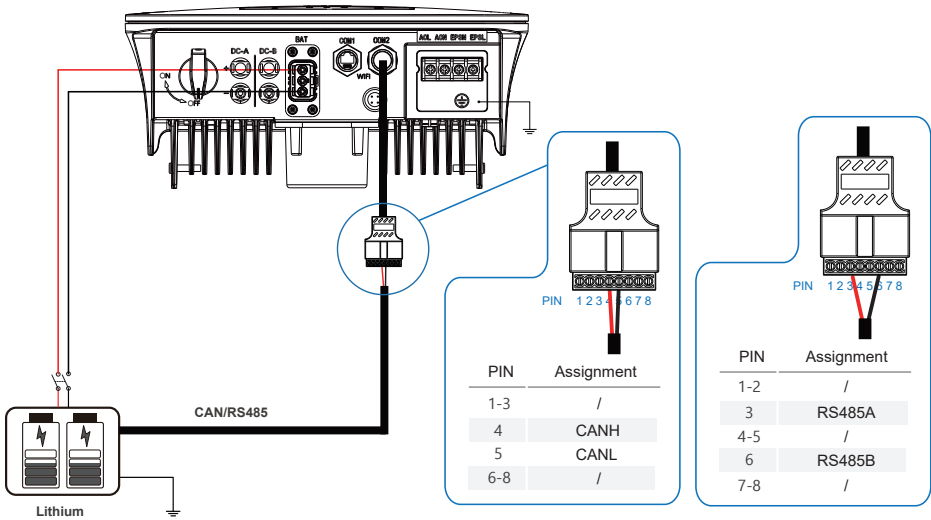


STEP 6:

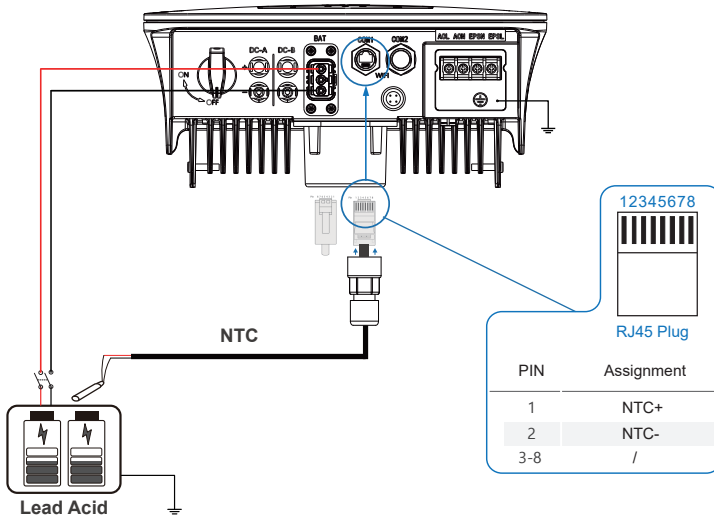
Insert the battery connector into the inverter, if hear a "click", it means the battery connection is finished.



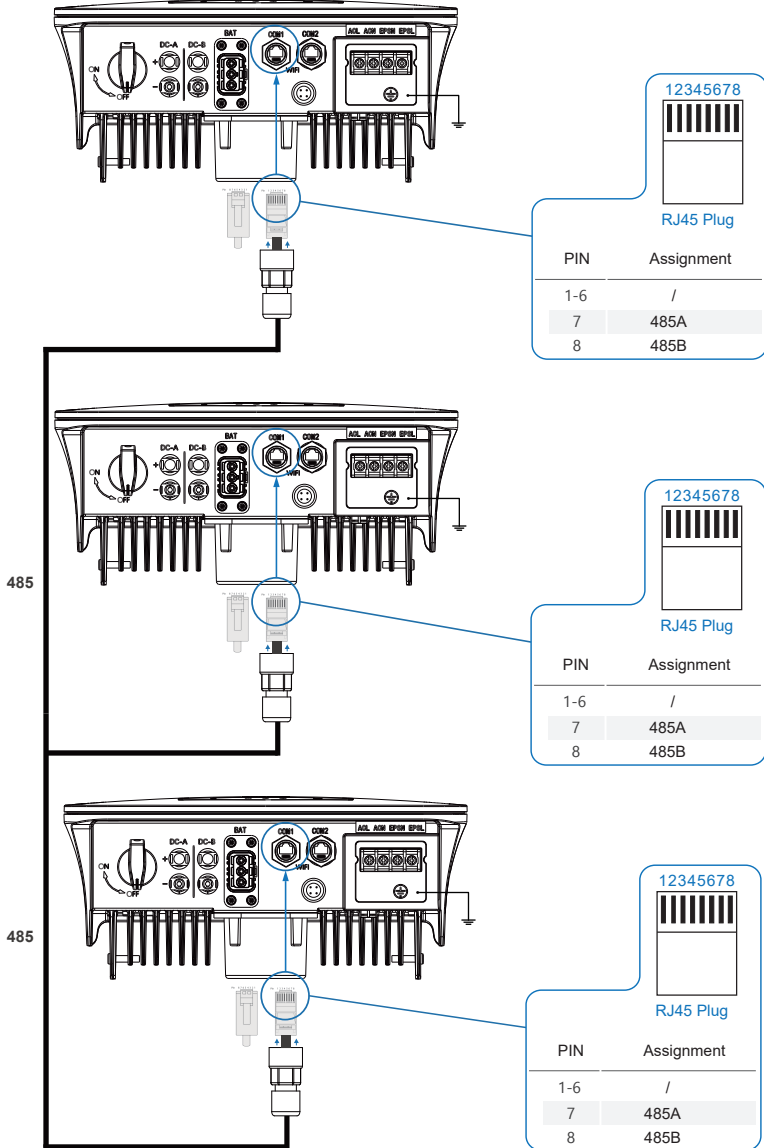
BAT-CAN/RS485



BAT-NTC



MULTI INVERTER PARALLEL



AC CONNECTION

The AC terminal contains "GRID" and "EPS", GRID for load, and EPS for emergency load.

Before connecting, a separate AC breaker between individual inverter and AC input power is necessary. This will ensure the inverter be securely disconnected during maintenance and fully protected from current of AC input.

An extra AC breaker is needed for On-Grid connection to be isolated from grid when necessary. Below are requirements for the On-Grid AC-breaker.

Inverter Model	AC breaker specification
VT-6607106	63A/200V/230V AC breaker



NOTE:

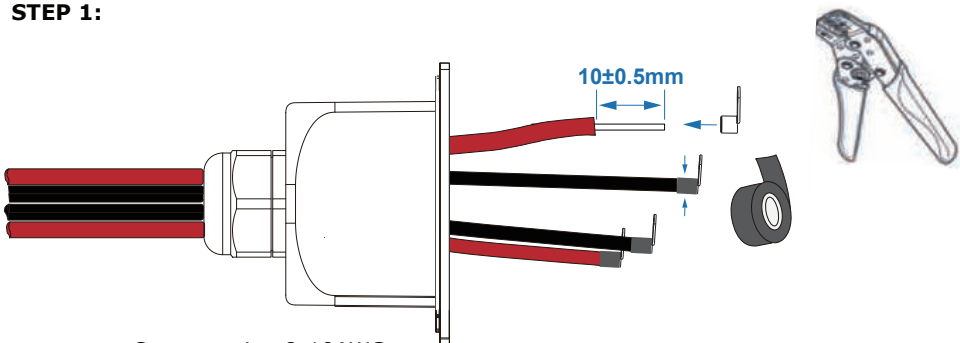
Qualified electrician will be required for the wiring.

Model	Wire Size	Cable (mm ²)	Torque value
6kW	8-10AWG	4-6	1.2N·m

PLEASE FOLLOW STEPS FOR AC CONNECTION

- Connect DC protector or breaker first before connecting.
- Remove insulation sleeve 11mm(0.5 inch) length, unscrew the bolts, insert the AC input wires according to polarities indicated on the terminal block and tighten the terminal screws.

STEP 1:



Cross-section 8-10AWG

Note:



Cable suggestion



NOTE:

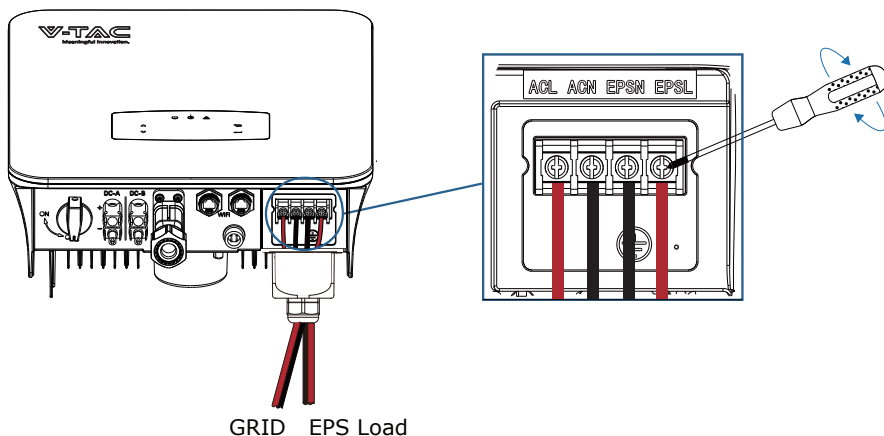
The wiring terminals should be wrapped with insulation tape, otherwise it will cause a short circuit and damage the inverter.



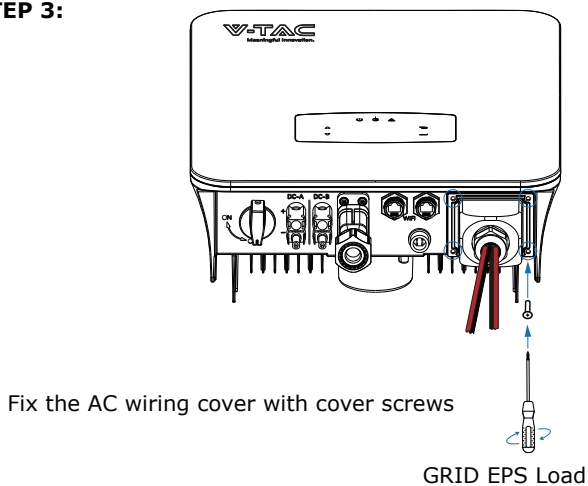
Note:

The Max. power load connects to EPS port should not exceed the inverter's EPS Max. output power range.

STEP 2:

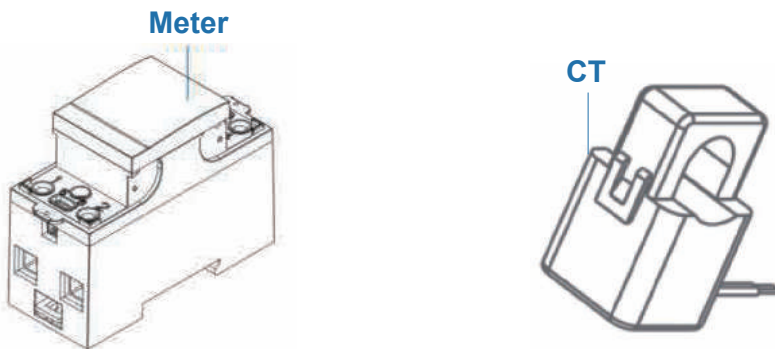


STEP 3:

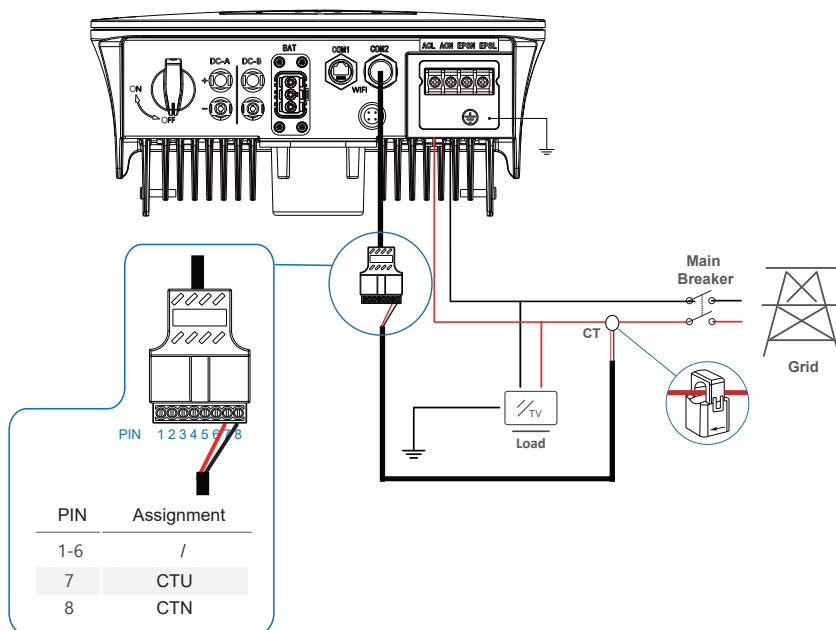


CT OR METER CONNECTION

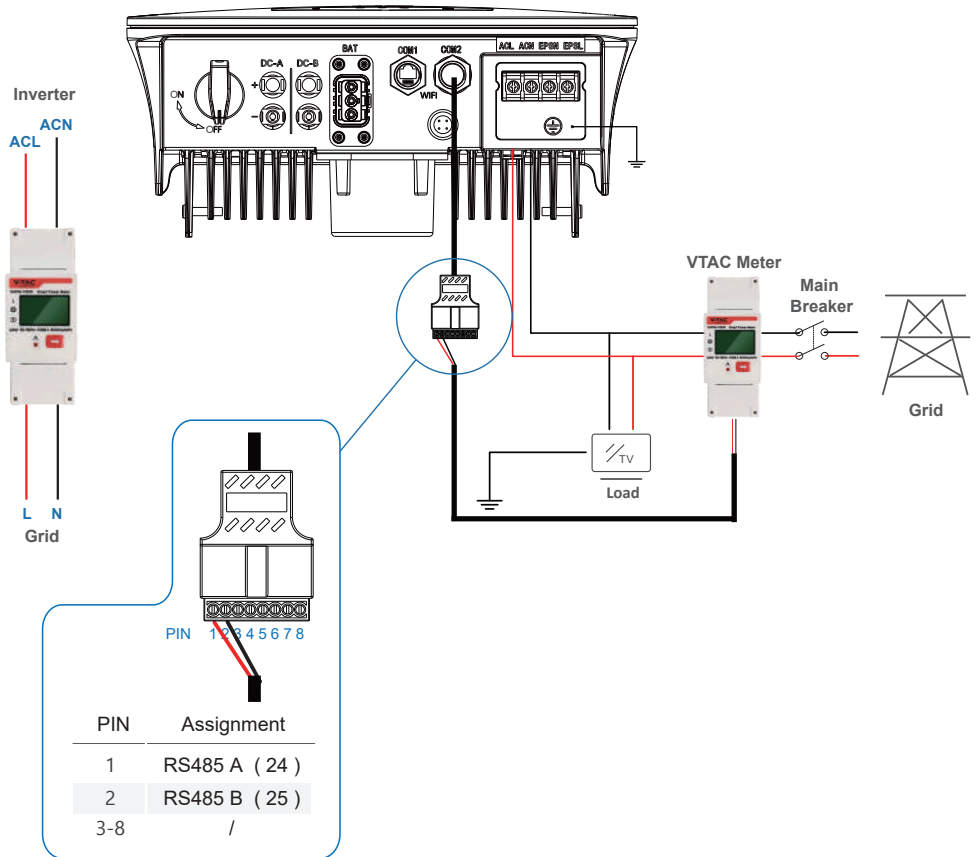
Meter and a current sensor (CT for short below) are used to detect current power direction of the local load and the grid. The output control function of the inverters will be activated based on the detected data.



INSTALL THE CT



INSTALL THE METER



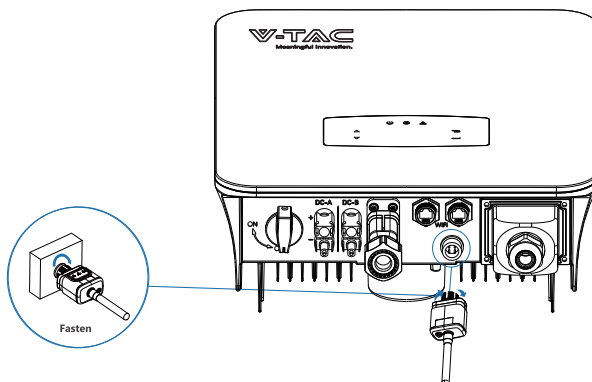
COMMUNICATION CONNECTION

The monitoring module could transmit the data to the cloud server, and display the data on the PC, tablet and smart-phone.

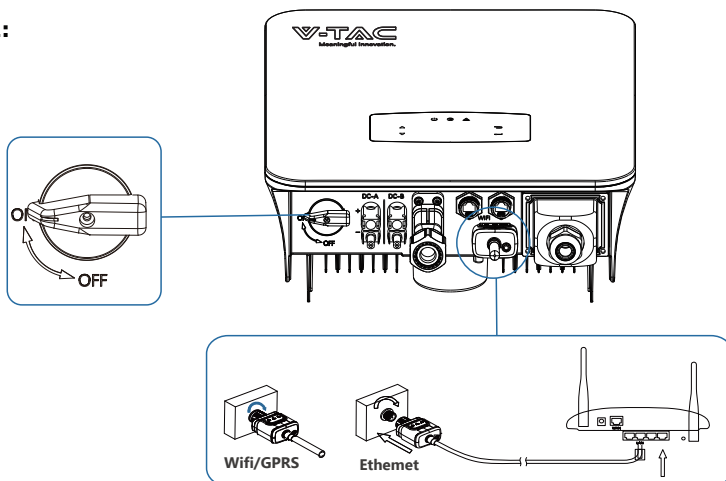
INSTALL THE WIFI / ETHERNET / GPRS / RS485 COMMUNICATION

WIFI / Ethernet / GPRS / RS485 communication is applicable to the inverter. Please refer to "Communication Configuration Instruction" for detailed instruction.

STEP 1:



STEP 2:



Turn on the DC switch and AC circuit breaker, and wait until the LED indicator on the monitoring module flashes, indicating that the monitoring module is successfully connected.

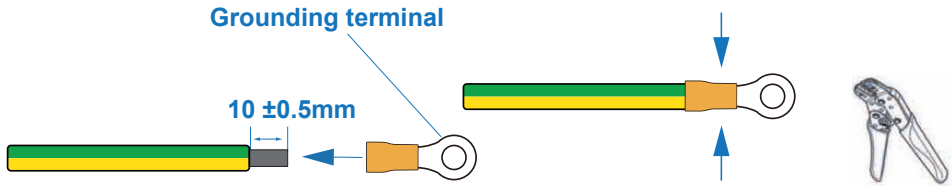
EARTH CONNECTION



NOTE:

A second protective earth (PE) terminal should be connected to the inverter. This prevents electric shock if the original protective PE wire fails.

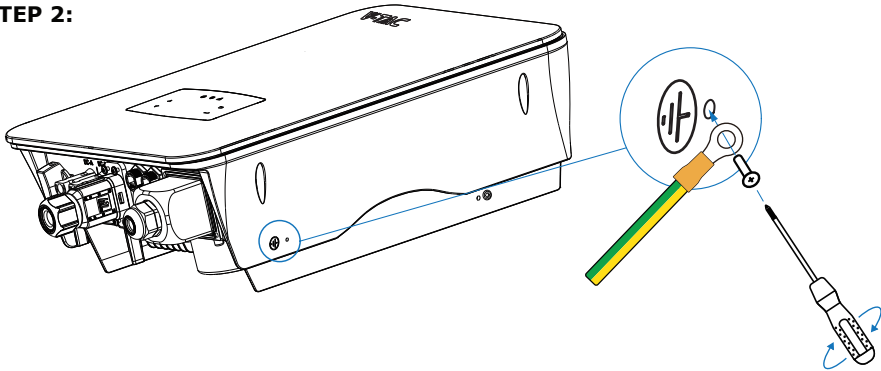
STEP 1:



Note:

Earth cable PE suggestion:
Cross-section (Copper) 4-6mm² / 10AWG

STEP 2:



Fix the grounding screw to the grounding connection of the machine housing.

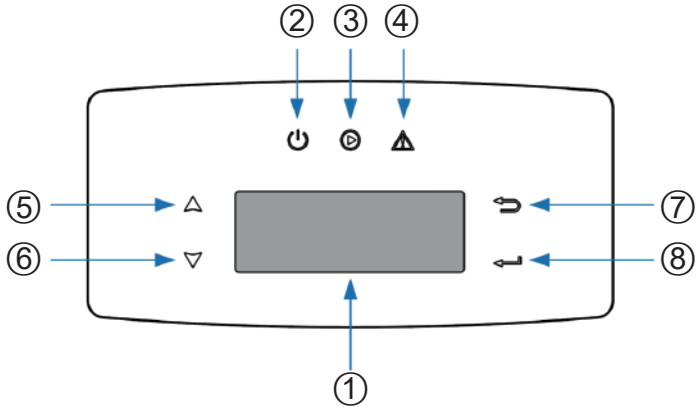


Note:

Make sure the earth cables on the inverter and solar panel frame are separately.

OPERATION

CONTROL PANEL



No.	Items	No.	Items
1	LCD Display	5	UP Touch Button
2	POWER LED Indicator	6	DOWN Touch Button
3	GRID LED Indicator	7	BACK Touch Button
4	FAULT LED Indicator	8	ENTER Touch Button



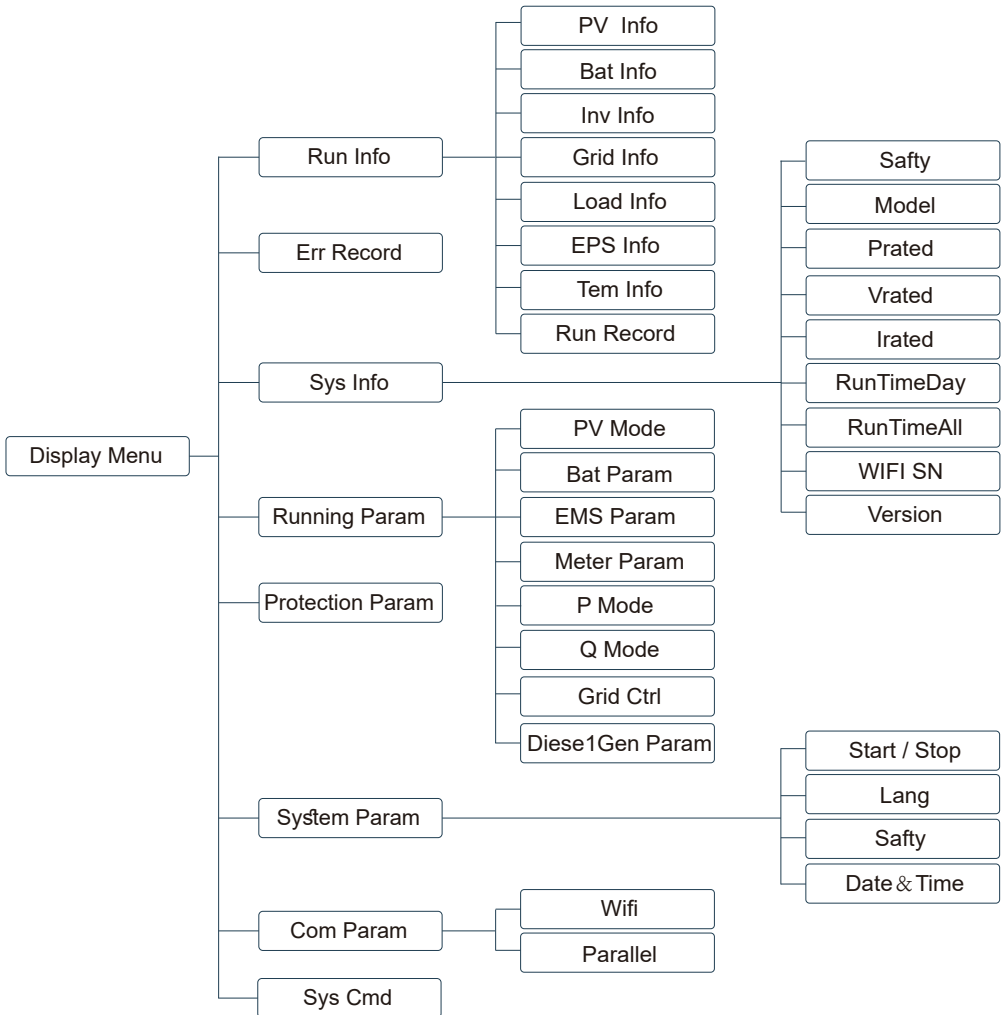
Note:

Hold UP/DOWN button can be rolling quickly.

Sign	Power	Color	Explanation
POWER	ON	Green	The inverter is stand-by
	OFF		The inverter is power off
GRID	ON	Green	The inverter is feeding power
	OFF		The inverter is not feeding power
FAULT	ON	Red	Fault occurred
	OFF		No fault

MENU OVERVIEW

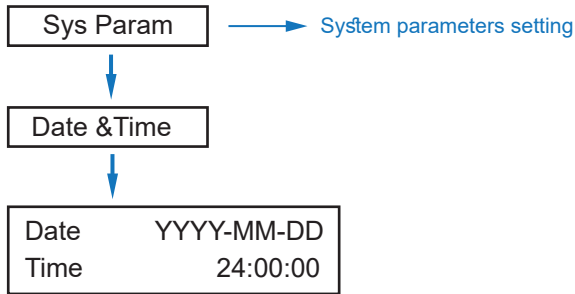
VT-6607106 hybrid inverter has a LCD for clearly operating, and menu of the LCD can be presented as following:



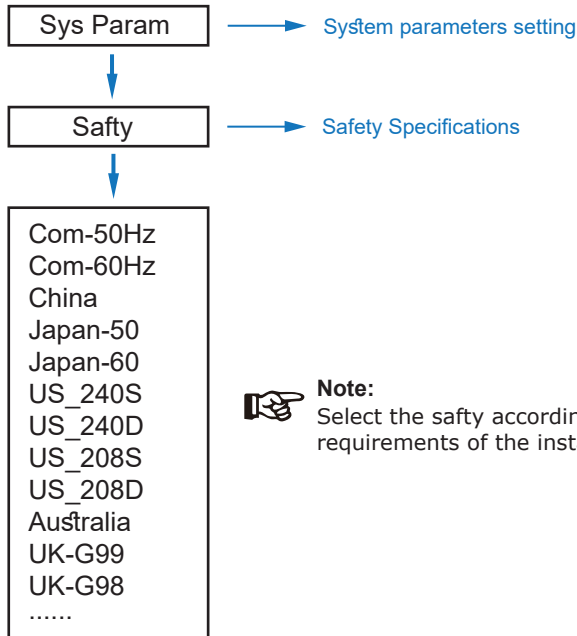
INVERTER SETTING

The setting is for VT-6607106 Hybrid inverter. Any doubts, please contact distributor for more details.

A. Time & Date



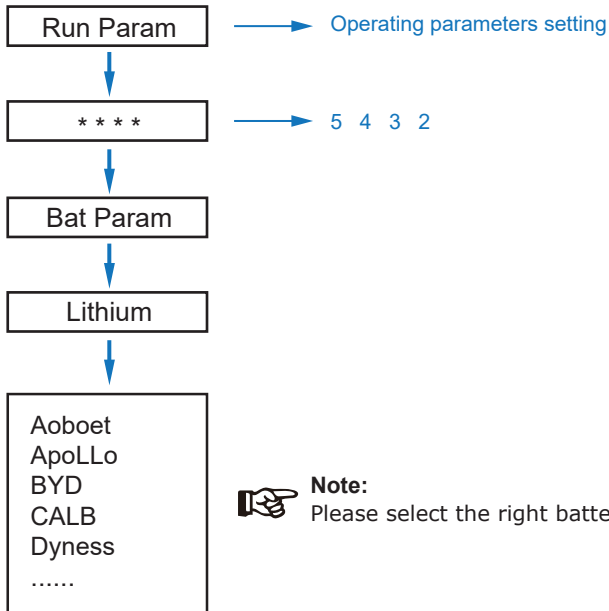
B. Safety



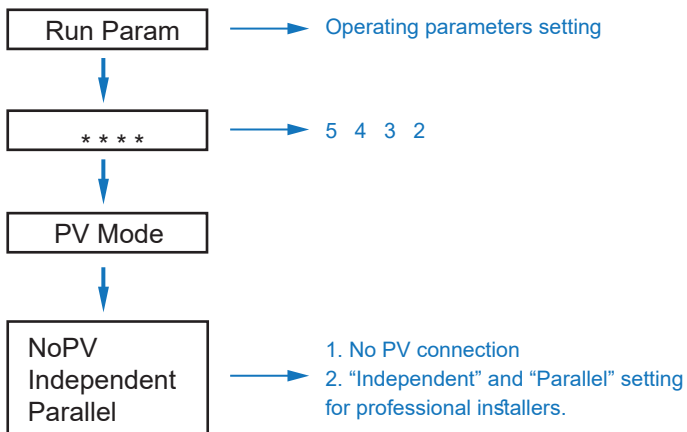
Note:

Select the safety according to the requirements of the installation site.

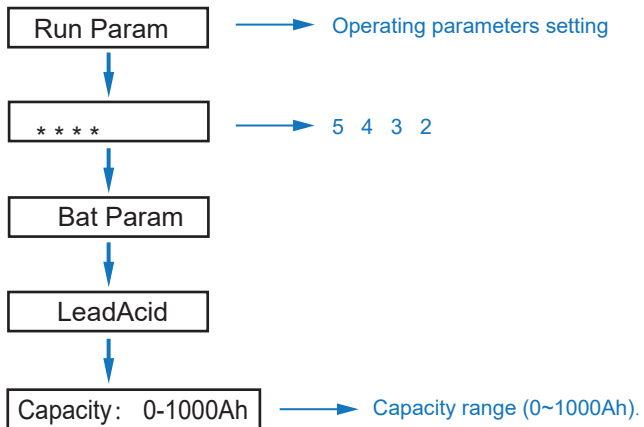
C. Lithium Battery



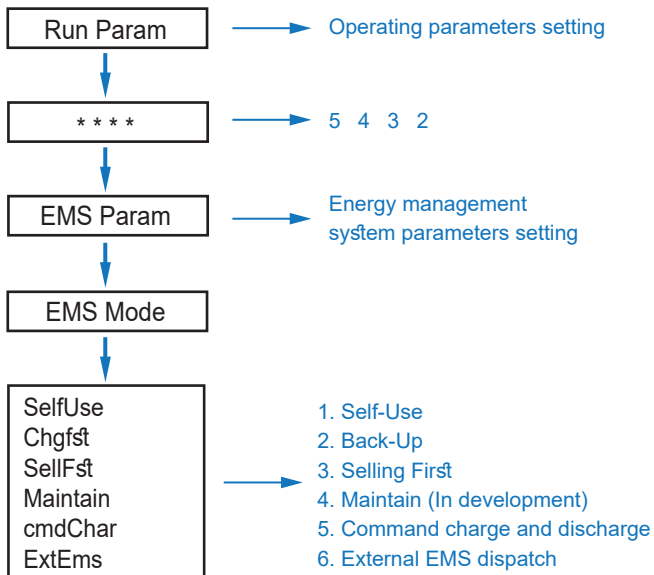
D. PV Mode



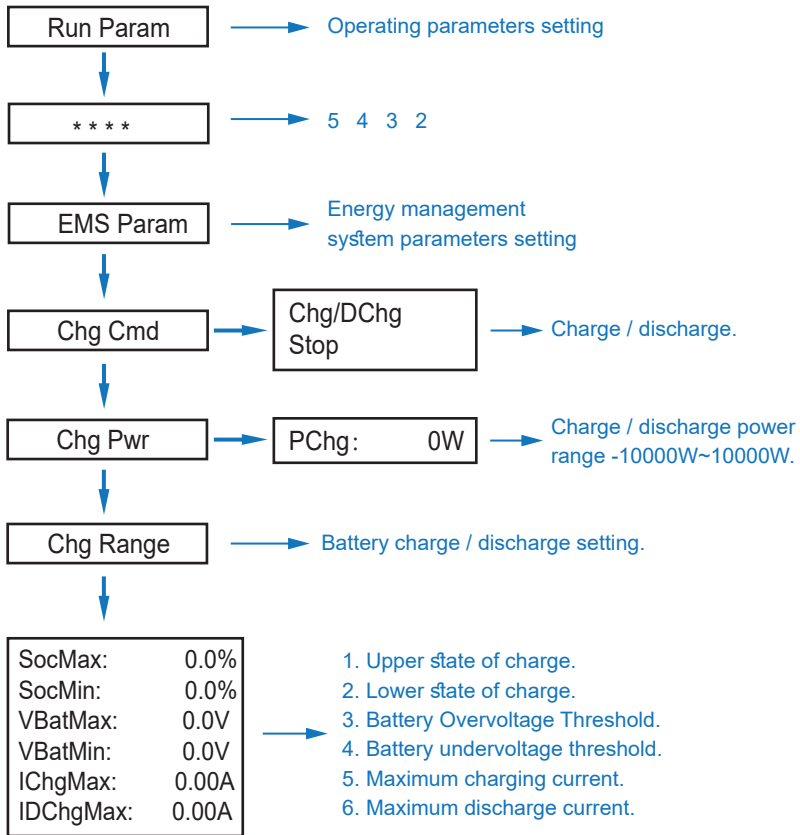
E. Lead Acid



F. Energy Management System (EMS Param)



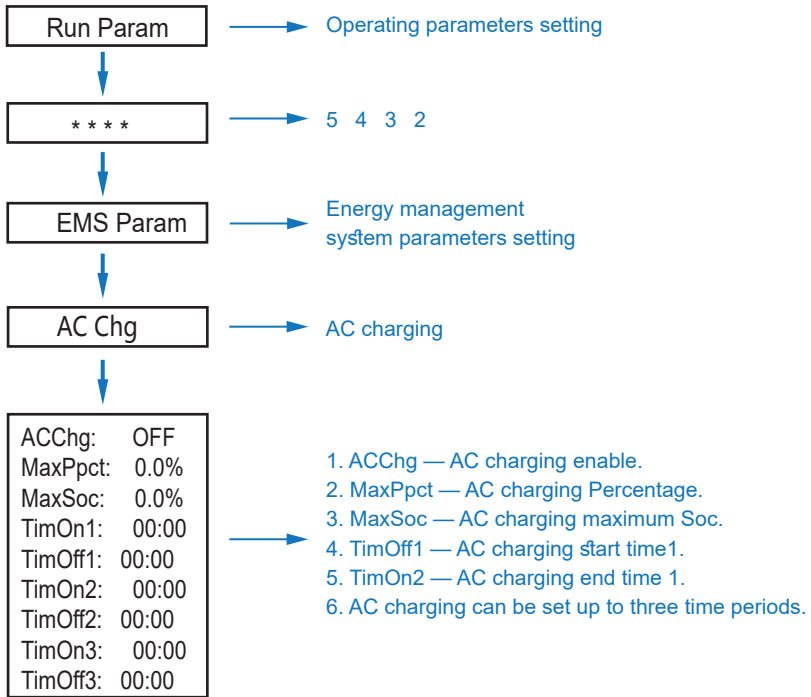
G. Time of Use



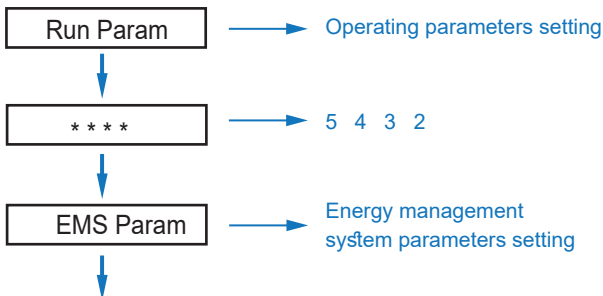
Note:

Timed charge and discharge need to complete the three settings of "Chg Cmd", "Chg Pwr" and "Chg Range", otherwise it will not work properly.

H. AC Charging



I. Forced Charging



Force Chg

→ Forced charging

ForceChg: ON
PForce: 0.0%
MaxSoc: 0.0V
TimOn1: 00:00
TinOff1: 00:00
TimOn2: 00:00
TinOff2: 00:00
TimOn3: 00:00
TinOff3: 00:00

1. ForceChg — Force charging enable.
2. PForce — Forced charging power percentage.
3. MaxSoc — Forced charging Max Soc.
4. TimOn1 — Forced charging start time 1.
5. TinOff2 — Forced charging end time 1.
6. Forced charging can be set to three time periods .

J. Forced Discharging

Run Param

→ Operating parameters setting

→ 5 4 3 2

EMS Param

→ Energy management system parameters setting

Force DChg

→ Forced discharge

ForceDChg: ON
PForce: 0.0%
MinSoc: 0.0V
TimOn1: 00:00
TinOff1: 00:00
TimOn2: 00:00
TinOff2: 00:00
TimOn3: 00:00
TinOff3: 00:00

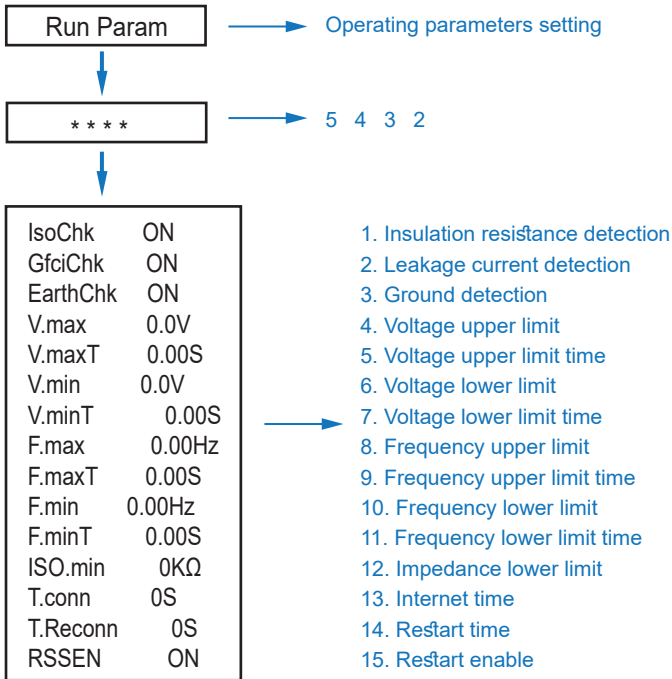
1. ForceDChg — Forced discharging enable.
2. PForce — Forced discharging power percentage.
3. MinSoc — Forced discharging max Soc.
4. TimOn1 — Forced discharging start time 1.
5. TinOff1 — Forced discharging end time 1.



Note:

Forced discharging can be set to three time periods.

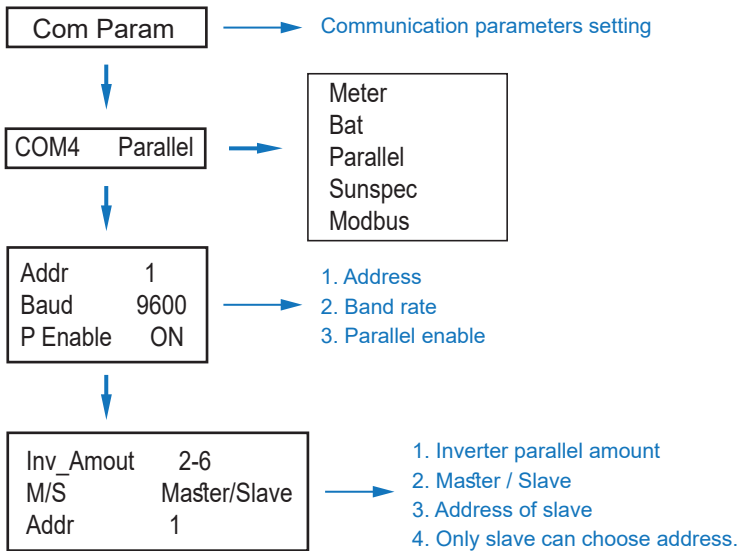
K. Protection Parameters



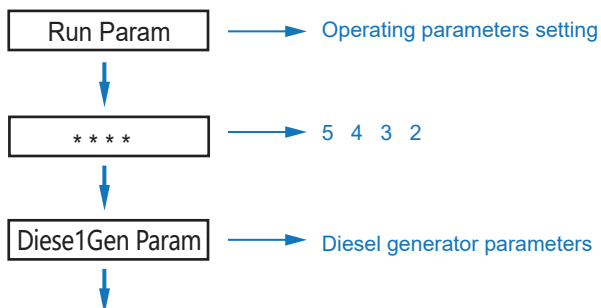
Note:

When modifying parameters, you need to pay attention to the unit.

L. Multi-machine in Parallel



M. Diesel Generator Setting (Diese1 Gen Param)



Diese1Gen GenEn	ON
TimeCtr1Em	ON
TimeDelay	0S
StarSoc	20.0%
EndSoc	80.0%
TimOn1	00:00
TimOff1	00:00
TimOn2	00:00
TimOff2	00:00
TimOn3	00:00
TimOff3	00:00



1. Diese1Gen GenEn — Diesel generator enable.
2. TimeCtr1Em — Time control enable.
3. TimeDelay — Delay time of diesel generator start working.
4. StarSoc — Battery power percentage when diesel generator start charging the battery.
5. EndSoc — Battery power percentage when diesel generator stop charging the battery.
6. TimOn1 — Diesel generator start time 1.
7. TimOff1 — Diesel generator off time 2.



Note: Diesel generator enable and time control enabled must be on, other wise the diesel generator an not be started.

Power ON/OFF

- Please check the following requirements before testing:
- Installation location is suitable according to "Mounting Location"
 - All electrical wires are connected tightly, including PV modules, battery and AC side(Such as the grid side, EPS side, Gen side).
 - Earth line and Smart meter/CT line are connected.
 - AF-DF hybrid inverters should be set according to the required local grid standard.
 - More information please contact with VTAC or distributors.

Power ON

- Turn on DC switch.
- After LCD lighting, hybrid inverter should be set following "Time & Date" at the first time.
- When inverter running under normal mode, Running indicator will light up

Power OFF

- Turn off DC switch (in hybrid inverter) and all extra-breaker.

Restart

- Restart Hybrid inverter, please follow steps as below:
- Shutdown the inverter
 - Start the inverter

Maintenance & Trouble Shooting

Maintenance

- Periodically maintenance are necessary, please follow steps as below.
- PV connection: twice a year
 - AC connection(Grid and EPS) : twice a year
 - Battery connection: twice a year
 - Earth connection: twice a year
 - Heat sink: clean with dry towel once a year

Trouble Shooting

The fault messages are displayed when fault occurs, please check trouble shooting table and find related solutions.

FAULT CODE AND TROUBLE SHOOTING

Type of Fault	Code	Name	Description	Recommend Solution
PV Fault	A01	PvConnectFault	PV connection type different from setup	<ul style="list-style-type: none"> • Check PV modules connection • Check PV Mode setup Ref. Chapter 5.3.
	A02	IsoFault	ISO check among PV panels/ wires and ground is abnormal.	<ul style="list-style-type: none"> • Check PV modules wires, those wires are soaked or damaged, and then carry out rectification. • if the fault occurs continuously and frequently, please ask help for local distributors.
	A03	PvAfcifault	PV current arcing	<ul style="list-style-type: none"> • Check PV modules wires and connectors broken or loose connect, and then carry out rectification. • If the fault occurs continuously and frequently, please ask help for local distributors.
	A04	Pv1OverVoltFault	PV Voltage over	<ul style="list-style-type: none"> • Reconfiguration of PV strings, reduce the PV number of a PV string to reducing inverter PV input voltage. • Suggestion that contacting with local distributors.
	A05	Pv2OverVoltFault		
	A06	Pv3OverVoltFault		
	A07	Pv4OverVoltFault		
	A08	Pv5OverVoltFault		
	A09	Pv6OverVoltFault		
	A10	Pv7OverVoltFault		
	A11	Pv8OverVoltFault		
	A12	Pv9OverVoltFault		
	A13	Pv10OverVoltFault		
	A14	Pv11OverVoltFault		
	A15	Pv12OverVoltFault		
	A16	PV1ReverseFault	PV(+) and PV(-) reversed Connection	<ul style="list-style-type: none"> • Check PV(+) and PV(-) Connect whether reversed or not. • If reversed, make correction.
	A17	PV2ReverseFault		
	A18	PV3ReverseFault		
	A19	PV4ReverseFault		
	A20	PV5ReverseFault		
	A21	PV6ReverseFault		

Type of Fault	Code	Name	Description	Recommend Solution
PV Fault	A22	PV7ReverseFault		
	A23	PV8ReverseFault		
	A24	PV9ReverseFault		
	A25	PV10ReverseFault		
	A26	PV11ReverseFault		
	A27	PV12ReverseFault		
	A33	Pv1AbnormalFault	PV(+) and PV(-) reversed Connection	<ul style="list-style-type: none"> • Check PV modules partial occlusion or cells damaged. • Check PV module wires and connectors broken or loose connect, then repair it.
	A34	Pv2AbnormalFault		
	A35	Pv3AbnormalFault		
	A36	Pv4AbnormalFault		
	A37	Pv5AbnormalFault		
	A38	Pv6AbnormalFault		
	A39	Pv7AbnormalFault		
	A40	Pv8AbnormalFault		
	A41	Pv9AbnormalFault		
	A42	Pv10AbnormalFault		
	A43	Pv11AbnormalFault		
	A44	Pv12AbnormalFault		
	A45	Pv13AbnormalFault		
	A46	Pv14AbnormalFault		
	A47	Pv15AbnormalFault		
	A48	Pv16AbnormalFault		
	A49	Pv17AbnormalFault		
	A50	Pv18AbnormalFault		
A51	Pv19AbnormalFault			
A52	Pv20AbnormalFault			
A53	Pv21AbnormalFault			
A54	Pv22AbnormalFault			
A55	Pv23AbnormalFault			
A56	Pv24AbnormalFault			

Type of Fault	Code	Name	Description	Recommend Solution
Battery Fault	B01	PcsBatOverVoltFault	Battery voltage over or under	<ul style="list-style-type: none"> • Check inverters connected battery lines and connectors broken or loose connect. • Carry out rectification if broken or loose. • Checking battery voltage is abnormal or not, then maintenance or change new battery.
	B02	PcsBatUnderVoltFault		
	B03	PcsBatInsOverVoltFaul		
	B04	PcsBatReversedFault	Bat. (+) and Bat. (-) are reversed.	<ul style="list-style-type: none"> • Check Bat.(+) and Bat.(-)connect reversed or not. • Make correction If reversed.
	B05	PcsBatConnectFault	Battery wires loose	<ul style="list-style-type: none"> • Check battery wires and connectors damage or loose connect. • Carry out rectification if break.
	B06	PcsBatComFault	Battery communication abnormal	<ul style="list-style-type: none"> • Check battery side communication wires damage or loose connect, and then carry out rectification. • Check battery is off or other abnormal, then Mastertenance battery or change new battery.
	B07	PcsBatTempSensorOpen	Battery temperature sensor abnormal	<ul style="list-style-type: none"> • Check battery temperature sensor and connected wires damage or not , then rectification or change new one.
	B08	PcsBatTempSensorShort		
	B09	BmsBatSystemFault	All these faults will be detected or reported by battery BMS.	<ul style="list-style-type: none"> • If specific fault high temperature or low temperature, then should change battery installed environment temperature. • Restart battery, maybe can working as normal. • If this fault occurs continuously and frequently, please ask help for local distributors.
	B10	BmsBatVolOverFault		
	B11	BmsBatVolUnderFault		
	B12	BmsCellVolOverFault		
	B13	BmsCellVolUnderFault		
	B14	BmsCellVolUnbanceFau		
	B15	BatChgCurOverFault		
	B16	BatDChgCurOverFault		
	B17	BatTemperatureOverFa		
	B18	BatTemperatureUnderF		
	B19	CelTemperatureOverFa		
	B20	CelTemperatureUnderF		
	B21	BatIsoFault		
	B22	BatSoc.LowFault		
	B23	BmsInterComFault		
	B24	BatRelayFault		

Type of Fault	Code	Name	Description	Recommend Solution
Battery Fault	B25	BatPreChaFault		
	B26	BmsBatChgMosFault		
	B27	BmsBatDChgMosFault		
	B28	BMSVoIOVFault		
	B29	BMSVolLFault		
	B30	VolLockOpenFault		
	B31	VolLockShortFault		
	B32	ChgRefOVFault		
	C01	GridLossFault	Grid lost (islanding)	<ul style="list-style-type: none"> Inverter will restart automatically when the grid return to normal. Check inverter connected with grid connectors and cable normal or not.
	C02	GridUnbalanVoltFault	Grid Voltage unbalanced.	<ul style="list-style-type: none"> The inverter will restart automatically when the grid three phase return to normal. Check inverter connected with the grid connectors and wires normal or not. connectors and cable normal or not.
	C03	GridInstOverVoltFault	Grid instantaneous voltage over	<ul style="list-style-type: none"> The inverter will restart automatically when the grid three phase return to normal. Contact with local distributor or required grid company adjust protection parameters.
	C04	Grid10MinOverVoltFault	Grid voltage Over by 10 Minutes	<ul style="list-style-type: none"> The inverter will restart automatically when the grid three phase return to normal. Contact with local distributor or required grid company adjust 10 minutes protection voltage parameters.
	C05	GridOverVoltFault	Grid voltage over	<ul style="list-style-type: none"> The inverter will restart automatically when the grid three phase return to normal. Contact with local distributor or required grid company adjust voltage protection parameters.
	C06	GridUnderVoltFault	Grid voltage under	
	C07	GridLineOverVoltFault	Grid line voltage over	
	C08	GridLineUnderVoltFault	Grid line voltage under	
	C09	GridOverFreqFault	Grid Frequency over	<ul style="list-style-type: none"> The inverter will restart automatically when the grid three phase return to normal. Contact with local distributor or required grid company adjust frequency protection parameters.
	C10	GridUnderFreqFault	Grid Frequency under	<ul style="list-style-type: none"> The inverter will restart automatically when the grid three phase return to normal. Contact with local distributor or required grid company adjust frequency protection parameters.

Type of Fault	Code	Name	Description	Recommend Solution
Off-grid Fault	D01	UpsOverPowerFault	Off-grid load over	<ul style="list-style-type: none"> • Reduce loads. • If sometimes overload, it can be ignored, when generation power enough can be recovery. • If those faults occurs continuously and frequently, please ask help for local distributors.
	D02	GridConflictFault	Grid connected to Back-up terminal	<ul style="list-style-type: none"> • Check the off-grid port connection correct, disconnect both off-grid and grid ports.
	D03	GenOverVoltFault	GenOverVoltFault	<ul style="list-style-type: none"> • Adjust generator running parameters, make the output voltage, frequency in allowed range. • If this fault occurs continuously and frequently, please ask help for local distributors.
	D04	GenUnderVoltFault	GenUnderVoltFault	
	D05	GenOverFreqFault	GenOverFreqFault	
	D06	GenUnderFreqFault	GenUnderFreqFault	
DC Fault	E01	Pv1HwOverCurrFault	PV current over, triggered by hardware protection circuit	<ul style="list-style-type: none"> • Power off, then restart (Ref. Chapter8). • If those faults occurs continuously and frequently, please ask help for local distributors.
	E02	Pv2HwOverCurrFault		
	E03	Pv3HwOverCurrFault		
	E04	Pv4HwOverCurrFault		
	E05	Pv5HwOverCurrFault		
	E06	Pv6HwOverCurrFault		
	E07	Pv7HwOverCurrFault		
	E08	Pv8HwOverCurrFault		
	E09	Pv9HwOverCurrFault		
	E10	Pv10HwOverCurrFault		
	E11	Pv11HwOverCurrFault		
	E12	Pv12HwOverCurrFault		
	E13	Pv1SwOverCurrFault	PV current over, triggered by Software logic.	<ul style="list-style-type: none"> • Power off, power on then restart. • If those faults occurs continuously and frequently, please ask help for local distributors.
	E14	Pv2SwOverCurrFault		
	E15	Pv3SwOverCurrFault		
	E16	Pv4SwOverCurrFault		
	E17	Pv5SwOverCurrFault		
	E18	Pv6SwOverCurrFault		
	E19	Pv7SwOverCurrFault		
	E20	Pv8SwOverCurrFault		

Type of Fault	Code	Name	Description	Recommend Solution
DC Fault	E21	Pv9SwOverCurrFault		
	E22	Pv10SwOverCurrFault		
	E23	Pv11SwOverCurrFault		
	E24	Pv12SwOverCurrFault		
	E33	Boost1SelfCheck(boost)Fault	PV boost circuit abnormal when self checking	<ul style="list-style-type: none"> • Power off, then restart (Ref. Chapter8). • If those faults continuously and frequently, please ask help for local distributors.
	E34	Boost2SelfCheck(boost)Fault		
	E35	Boost3SelfCheck(boost)Fault		
	E36	Boost4SelfCheck(boost)Fault		
	E37	Boost5SelfCheck(boost)Fault		
	E38	Boost6SelfCheck(boost)Fault		
	E39	Boost7SelfCheck(boost)Fault		
	E40	Boost8SelfCheck(boost)Fault		
	E41	Boost9SelfCheck(boost)Fault		
	E42	Boost10SelfCheck(boost)Fault		
	E43	Boost11SelfCheck(boost)Fault		
	E44	Boost12SelfCheck(boost)Fault		
	E45	BusHwOverVoltFault	Bus voltage over	<ul style="list-style-type: none"> • Power off, then restart (Ref. Chapter8). • If those faults continuously and frequently, please ask help for local distributors.
	E46	BusHwOverHalfVoltFault		
	E47	BusSwOverVoltFault		
	E48	BusSwOverHalfVoltFault		
	E49	BusSwUnderVoltFault	Bus voltage under as running	
	E50	BusUnbalancedFault	DC Bus voltage unbalanced	
	E51	BusBalBridgeHwOverCurFault	Bus Controller current over	<ul style="list-style-type: none"> • Power off, then restart (Ref. Chapter8). • If those faults continuously and frequently, please ask help for local distributors.
	E52	BusBalBridgeSwOverCurFault		
	E53	BusBalBridgeSelfCheckFault	Bus Controller abnormal when self checking	
	E54	BDCHwOverCurrFault	BiDC current over	<ul style="list-style-type: none"> • Power off, then restart (Ref. Chapter8). • If those faults continuously and frequently, please ask help for local distributors.
	E55	BDCSwOverCurrFault		
	E56	BDCSelfCheckFault	BiDC abnormal as self checking	
E57	BDCSwOverVoltFault	BiDC voltage over		
E58	TransHwOverCurrFault	BiDC current over		

Type of Fault	Code	Name	Description	Recommend Solution
	E59	BDCFuseFault	BiDC fuse broken	<ul style="list-style-type: none"> Change fuse.
	E60	BDCRelayFault	BiDC relay abnormal	<ul style="list-style-type: none"> Power off, then restart (Ref. Chapter8). If those faults continuously and frequently, please ask help for local distributors.
AC Fault	F01	HwOverFault	All over current/ voltage by protection hardware	<ul style="list-style-type: none"> Power off, then restart (Ref. Chapter8). If those faults occurs continuously and frequently, please ask help for local distributors.
	F02	InvHwOverCurrFault	Ac over current by protection hardware	
	F03	InvROverCurrFault	R phase current over	
	F04	InvSOverCurrFault	S phase current over	
	F05	InvTOverCurrFault	T phase current over	
	F06	GridUnbalanCurrFault	On-grid current unbalanced	
	F07	DclnjOverCurrFault	DC injection current over	
	F08	AcOverLeakCurrFault	Ac side leakage current over	<ul style="list-style-type: none"> Check AC insulation and ground wires connect ground is well or not, then repair it. Power off, then restart (Ref. Chapter8).. If those fault occurs continuously and frequently, please ask help for local distributors.
	F09	PLLFault	PLL abnormal	<ul style="list-style-type: none"> Power off, then restart (Ref. Chapter8). If those fault occurs continuously and frequently, please ask help for local distributors.
	F10	GridRelayFault	Grid relay abnormal	
	F11	UpsRelayFault	Ups relay abnormal	
	F12	GenRelayFault	Generator relay abnormal	
	F13	Relay4Fault	Relay4 abnormal	
	F14	UpsROverCurrFault	Off-grid output current over	<ul style="list-style-type: none"> When off-grid the load start impulse current is over, reduce the start impulse current load. Power off, then restart (Ref. Chapter8). If those fault occurs continuously and frequently, please ask help for local distributors.
	F15	UpsSOverCurrFault		
	F16	UpsTOverCurrFault		
	F17	GenROverCurrFault	Generator current over	<ul style="list-style-type: none"> Check generator output voltage, frequency is stability, and adjust generator. Power off, then restart(Ref. Chapter8). If those fault occurs continuously and frequently, please ask help for local distributors.
	F18	GenSOverCurrFault		
	F19	GenTOverCurrFault		
	F20	GenReversePowerFault	Active power injected to generator	

Type of Fault	Code	Name	Description	Recommend Solution
AC Fault	F21	UpsOverVoltFault	Off-grid output voltage over or under	<ul style="list-style-type: none"> • Power off, then restart (Ref. Chapter8). • If those faults occurs continuously and frequently, please ask help for local distributors.
	F22	UpsUnderVoltFault		
	F23	UpsOverFreqFault	Off-grid output frequency over or under	
	F24	UpsUnderFreqFault		
	F25	DclnjOverVoltFault	Off-grid DC injection voltage over	
System Fault	G01	PV1CurAdChanFault	Sampling hardware abnormal	<ul style="list-style-type: none"> • Power off, then restart (Ref. Chapter8). • If those faults occurs continuously and frequently, please ask help for local distributors.
	G02	PV2CurAdChanFault		
	G03	PV3CurAdChanFault		
	G04	PV4CurAdChanFault		
	G05	PV5CurAdChanFault		
	G06	PV6CurAdChanFault		
	G07	PV7CurAdChanFault		
	G08	PV8CurAdChanFault		
	G09	PV9CurAdChanFault		
	G10	PV10CurAdChanFault		
	G11	PV11CurAdChanFault		
	G12	PV12CurAdChanFault		
	G13	BDCCurrAdChanFault		
	G14	TransCurAdChanFault		
	G15	BalBrigCurAdChanFault		
	G16	RInvCurAdChanFault		
	G17	SInvCurAdChanFault		
	G18	TInvCurAdChanFault		
	G19	RInvDciAdChanFault		
	G20	SInvDciAdChanFault		
	G21	TInvDciAdChanFault		
	G22	LeakCurAdChanFault		
	G23	VoltRefAdChanFault		
	G24	UpsRCurAdChanFault		

Type of Fault	Code	Name	Description	Recommend Solution	
System Fault	G25	UpsSCurAdChanFault			
	G26	UpsTCurAdChanFault			
	G27	GenRCurAdChanFault			
	G28	GenSCurAdChanFault			
	G29	GenTCurAdChanFault			
	G30	UpsRDcvAdChanFault			
	G31	UpsSDcvAdChanFault			
	G32	UpsTDcvAdChanFault			
	G37	TempAdChanFault	All temperature sensors abnormal		<ul style="list-style-type: none"> • Power off, then restart (Ref. Chapter8). • If those faults occurs continuously and frequently, please ask help for local distributors.
	G38	VoltAdConflictFault	The sample value of PV, battery and BUS voltage inconsistent		
	G39	CPUAdConflictFault	The sample value between master CPU and slaver CPU inconsistent		
	G40	PowerCalcConflictFault	Power value between PV, battery and AC output inconsistent		
	G41	EnvirOverTempFault	Installation environment temperature over or low		<ul style="list-style-type: none"> • Change or improve the installation environment temperature, make running temperature suitable. • Power off, then restart (Ref. Chapter8). • If those faults occurs continuously and frequently, please ask help for local distributors.
	G42	EnvirLowTempFault			
	G43	CoolingOverTempFault	Cooling temperature over or low		
	G44	CoolingLowTempFault			
G45	OverTemp3Fault	Temperature3 over or low			
G46	LowTemp3Fault				
G47	CpuOverTempFault	CPU temperature over			
G48	ModelConflictFault	Version conflict with inverter		<ul style="list-style-type: none"> • Power off, then restart (Ref. Chapter8). • If those faults occurs continuously and frequently, please ask help for local distributors. 	
Inner Warning	I01	InterFanWarning	Fan abnormal	<ul style="list-style-type: none"> • Remove foreign matter logged in fan. • If those faults occurs continuously and frequently, please ask help for local distributors. 	
	I02	ExterFanWarning			
	I03	Fan3Warning			

Type of Fault	Code	Name	Description	Recommend Solution
Inner Warning	I04	EnvirTempAdChanWarning	Some temperature sensors abnormal	<ul style="list-style-type: none"> The warnings are not matter influence. Power off, then restart (Ref. Chapter8). If those faults occurs continuously and frequently, please ask help for local distributors.
	I05	CoolingTempAdChanWarning		
	I06	Temp3AdChanWarning		
	I07	ExtFlashComWarning	Flash abnormal	<ul style="list-style-type: none"> Power off, then restart (Ref. Chapter8). If this those faults continuously and frequently, please ask help for local distributors.
	I08	EepromComWarning	Eeprom abnormal	
	I09	SlaveComWarning	Communication between slaver CPU and master CPU abnormal	
	I10	HmiComWarning	HMI abnormal	
	I11	FreqCalcConflictWarning	Frequency value abnormal	
	I12	UnsetModel	Running model is not initial	<ul style="list-style-type: none"> Contact with local distributor.
Outside Warning	J01	MeterComWarning	Meter/CT abnormal	<ul style="list-style-type: none"> Check the smart meter model, connection or connectors are correct, any loose. if abnormal, repair or change. Power off, then restart (Ref. Chapter8). If those faults occurs continuously and frequently, please ask help for local distributors.
	J02	MeterConnectWarning	Wires connecting type of meter wrong	<ul style="list-style-type: none"> Check Meter/CT connection, installed place, and installed direction. if abnormal, re-installation. Power off, then restart (Ref. Chapter8). If this those faults continuously and frequently, please ask help for local distributors.
	J03	SohWarning	Battery SOH low	<ul style="list-style-type: none"> Contact with Battery manufacturer.
	J04	GndAbnormalWarning	Earth impedance over by cable loose and so on	<ul style="list-style-type: none"> Check earth line connection or earth connecting impedance. if abnormal, then adjust it. Power off, then restart (Ref. Chapter8). If this those faults continuously and frequently, please ask help for local distributors.
	J05	ParallelComWarning	Communication between master inverter and slaver ones abnormal in parallel mode	<ul style="list-style-type: none"> Check parallel connect communication wires damage, connectors loose, connect port correct or not. if not, then adjust it. Power off, then restart (Ref. Chapter8). If this those faults continuously and frequently, please ask help for local distributors.

SPECIFICATIONS

PV Input		AF6K-SL
Max. Input Power (kW)		9.0
Max. PV Voltage (V)		550
MPPT Range (V)		80 - 500
Full MPPT Range (V)		170 - 500
Normal Voltage (V)		360
Startup Voltage (V)		100
Max. Input Current (A)		18.5 x 2
Max. Short Current (A)		26 x 2
No. of MPP Tracker / No. of PV String		2 / 2
Battery Port		
Max. Charge/Discharge Power (kW)		4.8
Max. Charge/Discharge Current (A)		80
Battery Normal Voltage (V)		51.2
Battery Voltage Range (V)		40 - 60
Battery Type		Li-Ion / Lead-acid etc.
AC Grid		
Max Continuous Current (A)		28.0
Max Continuous Power (kVA)		6.0
Nominal Grid Current(A)		27.3 / 26.1
Nominal Grid Voltage (V)		198 to 242 @ 220 / 207 to 253 @ 230
Nominal Grid Frequency (Hz)		50 / 60
Power Factor		0.999 (Adjustable from 0.8 overexcited to 0.8 underexcited)
Current THD (%)		< 3
AC Load Output		AF6K-SL
Max Continuous Current (A)		28.0
Max Continuous Power (kVA)		6.0
Max Peak Current (A) (10min)		41.0 / 39.2
Max Peak Power (kVA) (10min)		9.0
Nominal AC Current (A)		27.3 / 26.1
Nominal AC Voltage L-N (V)		220 / 230
Nominal AC Frequency (Hz)		50 / 60
Switching Time (s)		Seamless
Voltage THD (%)		< 3
Efficiency		
CEC Efficiency (%)		97.0
Max. Efficiency (%)		97.6
PV to Bat. Efficiency (%)		98.1
Bat. between AC Efficiency (%)		96.8
Protection		AF6K-SL
PV Reverse Polarity Protection		Yes
Over Current/Voltage Protection		Yes
Anti-Islanding Protection		Yes
AC Short Circuit Protection		Yes
Residual Current Detection		Yes
Ground Fault Monitoring		Yes
Insulation Resistor Detection		Yes
PV Arc Detection		Yes
Enclosure Protection Level		IP65 / NEMA4X
General Data		AF6K-SL
Dimensions (L x W x H, mm)		513 x 370 x 192
Weight (kg)		17
Topology		Transformerless
Cooling		Intelligent Fan
Relative Humidity		0 - 100 %
Operating Temperature Range (°C)		- 25 to 60
Operating Altitude (m)		< 4000
Noise Emission (dB)		< 25
Standby Consumption (W)		< 10
Mounting		Wall Bracket
Communication with RSD		SUNSPEC
Display & Communication Interfaces		LCD, LED, RS485, CAN, Wi-Fi, GPRS, 4G
Certification & Approvals		NRS97, G98/G99, EN50549-1, C10/C11, AS 4777, VDE-AR-N4105, VDE0126, IEC62040, IEC62109-1, IEC62109-2
EMC		EN61000-6-2, EN61000-6-3