

Function

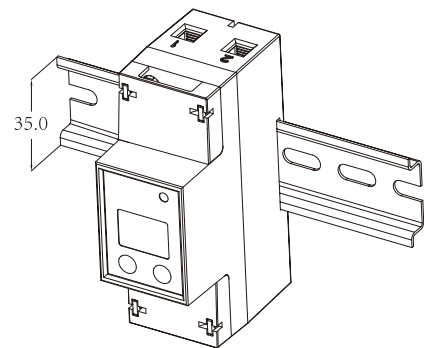
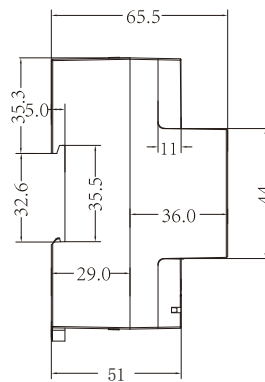
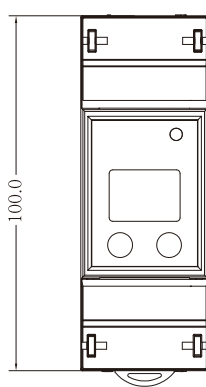


- Applied to 110V, 120V, 220V, 230V, 240V AC low voltage system
- Measure U, I, P, Q, S, PF, kWh, kvarh, LCD display U, I, P, kWh
- 6+1 digits LCD display (999999.9 kWh)
- LED indicates pulse output
- Password protection
- One key for up/down page, one key for programming
- Small size: 100*36*65mm
- RS485 port, MODBUS-RTU or DL/T645 protocol (selectable)
- 35mm DIN rail installation, standard DIN ED5002
- Standard: IEC62053-21

Technical Specification

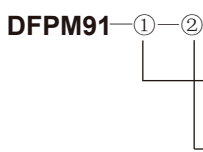
Display	6+1 digits LCD display (999999.9kWh)	Pulse output	1 channel
Accuracy	kWh Class1.0	Communication	RS485 port, MODBUS-RTU or DL/T 645 communication protocol
Rated voltage	AC 230Vph-N or 110Vph-N (optional)		Address: 1 ~ 247
	Range: 0.8Un ~ 1.2Un		Baud rate: 2400, 4800, 9600bps (default)
Rated (Max.) current	5(63)A	Creeping	Anti-creeping logic design
Starting current	0.4%Ib	Dimension (L*W*H)	100*36*65mm (2 module)
Power consumption	< 2W	Weight	200g
Frequency	50Hz / 60Hz (optional)	Environment	Operating temperature: - 20 C ~ 55 C
Measuring voltage	7mmx7mm (16mm ²)		Storage temperature: -25 C ~ 70 C
			Humidity: 5% ~ 95%, non-condensing

Dimension



Unit: mm

Order Information



V1	220V (Direct) (Suit for 220, 230,240VAC ph-N)
V2	110V (Direct) (Suit for 110,120VAC ph-N)
50	50Hz
60	60Hz

For example: DFPM91-V1-50, which indicates the device providing one RS485, one pulse output, rated input voltage 230Vac, frequency 50Hz, rated current 5(63)A.