

LITHIUM IRON PHOSPHATE BATTERY

ELECTRICAL PERFORMANCE

Nominal Voltage	12.8 V
Nominal Capacity	7.2 Ah
Energy	92.16 Wh
Resistance	≤30 mΩ @ 50% SOC
Self Discharge	<3% / Month
Cells	Square Cell 3.2V7.2Ah

CHARGE PERFORMANCE

Recommended Charge Current	1.44 A
Maximum Charge Current	3.6A
Recommended Charge Voltage	14.6 V
Charge Cut-Off Voltage	<15.2 V (0.5 ~ 1.5 s)
Reconnect Voltage	>14.4 V
Balancing Voltage	<14 V
Maximum Batteries in Series	1
Maximum Batteries in Parallel	1

DISCHARGE PERFORMANCE

Continuous Discharge Current	3.6 A
Maximum continuous Discharge Current	7.2 A
Peak Discharge Cut-Off Current	50±10A
Recommended Low Voltage Disconnect	10 V
Discharge Cut-Off Voltage	10 V
Reconnect Voltage	11.2 V
Short Circuit Protection	500±300μs



MECHANICAL PERFORMANCE

Dimension (L x W x H)	L150*W63*H93mm
Approx. Weight	850g±3g
Terminal Type	T2
Terminal Torque	/
Case Material	ABS
Enclosure Protection	IP55

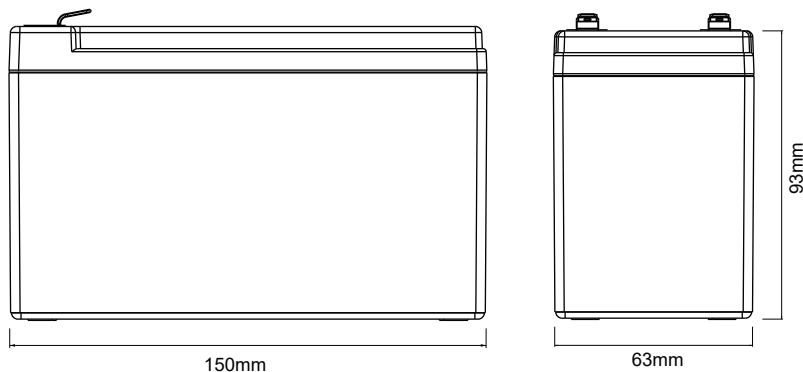
TEMPERATURE PERFORMANCE

Discharge Temperature	-4 ~ 140 °F (-20 ~ 60 °C)
Charge Temperature	32 ~ 113 °F (0 ~ 45 °C)
Storage Temperature	23 ~ 95 °F (-5 ~ 35 °C)
High Temperature Cut-Off	149 °F (65 °C)
Reconnect Temperature	118 °F (48 °C)

COMPLIANCE

Certifications	UN38.3,MSDS,CE
Shipping Classification	UN 3480, CLASS 9

OUTLINE DIMENSION

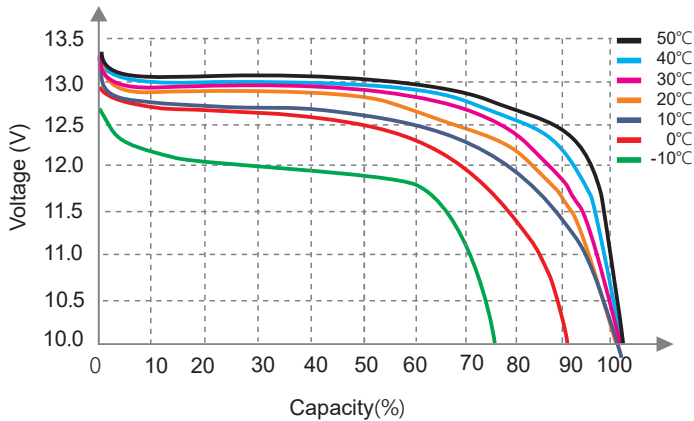


L mm	W mm	H mm
150	63	93

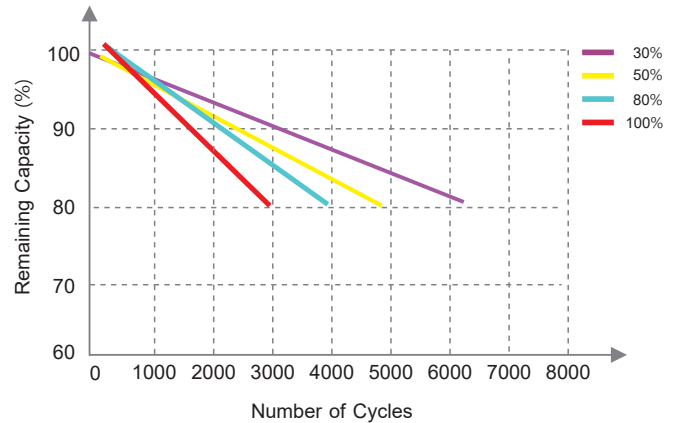
LITHIUM IRON PHOSPHATE BATTERY

PERFORMANCE CHARACTERISTICS

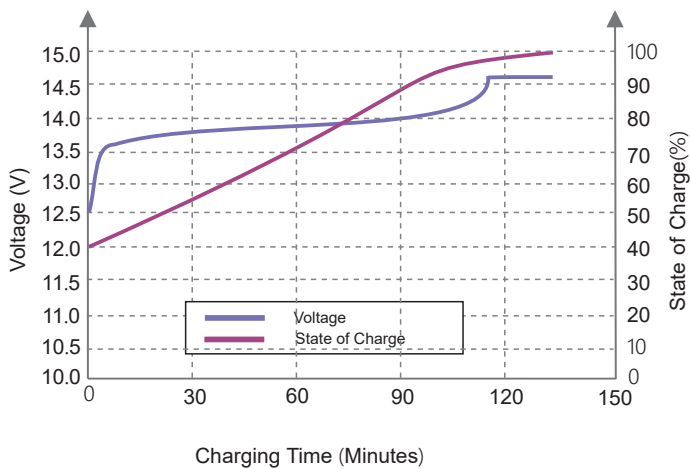
Different Temperature Discharge Curve(0.5C)



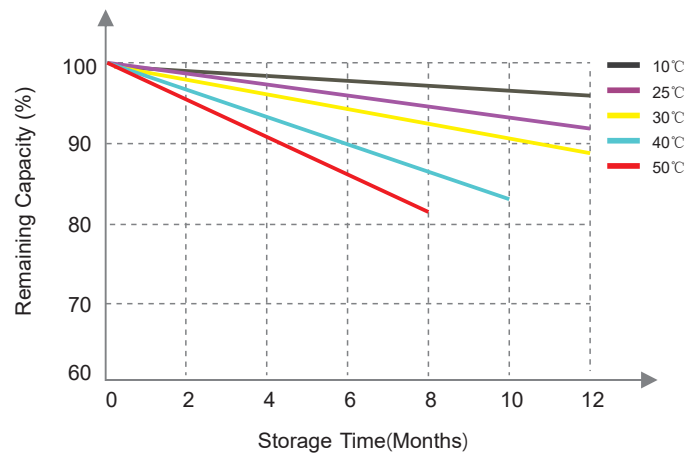
Different DOD Discharge Cycle Life Curve(1C)



State of Charge Curve(0.5C, 25°C)



Different Temperature Self Discharge Curve



FEATURES



High cycle life

>2000 cycles @80% DoD for effectively lower total cost of ownership.



Longer service life

Low maintenance, stable chemical materials, monitoring the activity status of the battery smart mode.



Built in circuit protection

Battery Management Systems (BMS) are incorporated against abuse.



Better storage

Up to 6 months due to the extremely low-self discharge (LSD) rate and no risk of sulfation.



Quickly recharge

Save time and increase productivity with less down time due to superior charge/discharge efficiency.



Extreme heat tolerance

Suitable for use in a wider range of applications where ambient temperature is unusually high: up to +60°C.



Lightweight

Lithium batteries provide more Wh/Kg while also being up to 1/3 the weight of its SLA equivalent.

APPLICATIONS

Lithium Iron Phosphate can be used in most applications that use Lead Acid, GEL or AGM type batteries.

Suitable applications include:

- Caravan
- Marine
- Golf Car
- Buggies
- Solar Storage
- Remote Monitoring
- Switching applications and more

CAUTIONS

- Do NOT short circuit, crush or disassemble.
- Do NOT heat or incinerate.
- Do NOT immerse in any liquid.
- Store at 50% capacity. Recharge every 3 months. The storage area should be clean, cool, dry and ventilated.