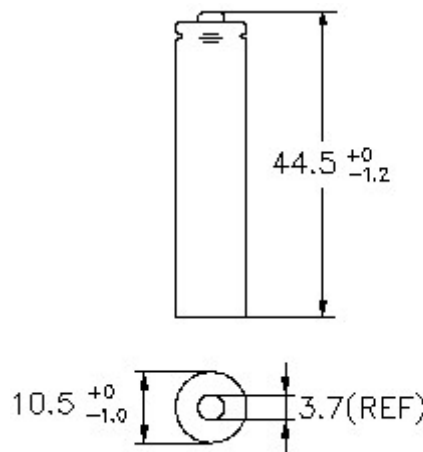


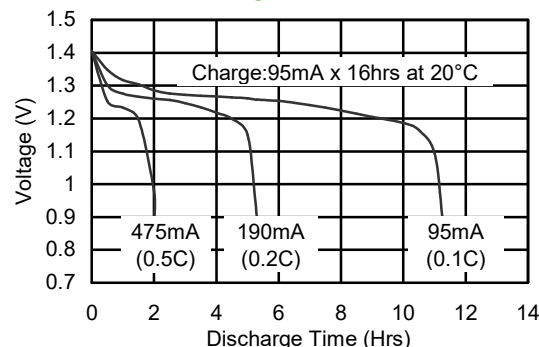
Model No.: GP100AAHCE

Type	: Rechargeable Nickel Metal Hydride Cylindrical Cell
Recycled material content	: Rechargeable Nickel Metal Hydride Battery Made with Minimum 10% Recycled materials
Nominal Dimension (with Sleeve)	: $\Phi = 10.5\text{mm}$ H = 44.5mm
Applications	: Recommended discharge current 95 to 2850mA
Nominal Voltage	: 1.2V
Capacity	: Rated: 950mAh Typical: 990mAh When discharged at 190mA to 1.0V at 20°C
Charging Condition	: 95mA for 16 hrs at 20°C
Charging Retention	: 70% of rated capacity after cell storage at 20°C for 6 months, 50% of nominal capacity after cell storage at 20°C for 1 year When discharged at 190mA to 1.0V at 20°C
Fast Charge	: 475mA to 950mA (0.5 to 1C) charge termination control recommended control parameters: - ΔV : 0-5mV DT/dt : 0.8°C/min (0.5 to 0.9C) : 0.8 - 1°C/min (1C) TCO : 45 - 50°C Timer : 105% nominal input (for ref. only)
Service Life	: >500 cycles (IEC standard)
Continuous Overcharge	: 95mA maximum current for 1 year. No conspicuous deformation and/or leakage
Weight	: 15.2g
Internal Resistance	: Average 40m Ω upon fully charged (Max. 55m Ω) at 1000Hz
Max. Charging Voltage	: 1.5V at 95mA charging
Ambient Temperature Range	: Standard Charge : 0 to 45°C Fast Charging : 10 to 45°C Discharge : -20 to 50°C Storage : -20 to 35°C

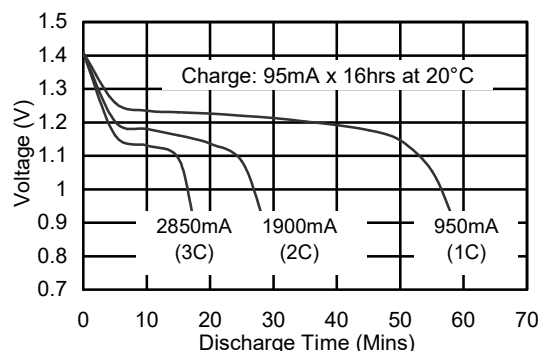


Unit: mm

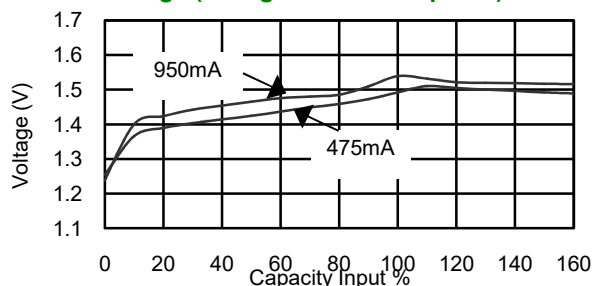
Low Rate Discharge



High Rate Discharge



Fast Charge (Charge Control Required)



The information (subject to change without prior notice) contained in this document is for reference only and should not be used as a basis for product guarantee or warranty. For applications other than those described here, please consult your nearest GP Sales and Marketing Office or Distributors.

TRS1140 rev.00