

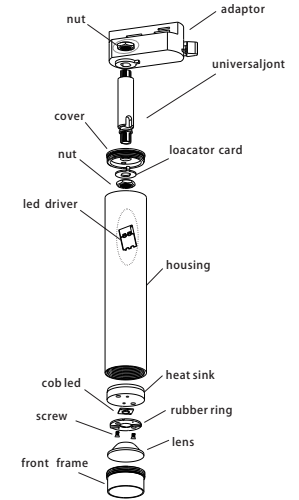
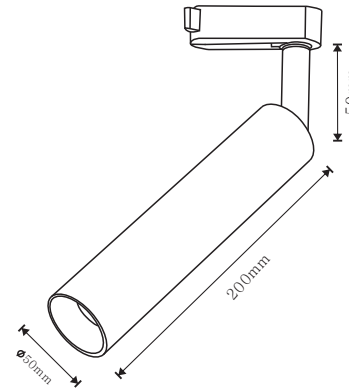
INSTALLATION INSTRUCTION
LED TRACKLIGHT



TECHNICAL DATA:

Model No.	VT-415
Power:	15W
Input Voltage:	AC:220-240V,50/60Hz
Lumens:	1050lm
Beam Angle:	24
CRI:	>90
Protection Rating:	IP20

STRUCTURE & SIZE



INSTALLATION DIAGRAM:

Installation instructions:

- 1, Switch off the power.
- 2, Fix the lamp into the track and turn adaptor slide switch. (picture 1)
- 3, Adjust the illumination angle of the luminaire. (picture 2)
- 4, Switch on the power if above steps done properly without any mistakes. (picture 3)

