

INSTRUCTION MANUAL LED BACKLIT RECESSED PANEL



SPHERE
360°
STAYS BRIGHT

02 YEAR
WARRANTY*

TECHNICAL DATA

MODEL	SKU	SHAPE	WATTS	LUMENS	BEAM ANGLE	IP RATING	BODY TYPE	TOTAL CURRENT	INPUT POWER	LIFE SPAN	ON/OFF CYCLE	DIMENSION (LxWxH)
VT-61003	7855 7856 7857	ROUND	3W	330LM	Sphere 360°	IP20	PLASTIC	26mA	AC:220-240 50/60Hz	20000H	>15000	φ90.5x28mm
VT-61006	7858 7859 7860	ROUND	6W	660LM	Sphere 360°	IP20	PLASTIC	36mA	AC:220-240 50/60Hz	20000H	>15000	φ120.5x28.4mm
VT-61012	7861 7862 7863	ROUND	12W	1200LM	Sphere 360°	IP20	PLASTIC	71mA	AC:220-240 50/60Hz	20000H	>15000	φ170.8x28.4mm
VT-61018	7864 7865 7866	ROUND	18W	1850LM 1980LM	Sphere 360°	IP20	PLASTIC	103mA	AC:220-240 50/60Hz	20000H	>15000	φ220.8x28.9mm
VT-61024	7867 7868 7869	ROUND	24W	2500LM 2640LM	Sphere 360°	IP20	PLASTIC	160mA	AC:220-240 50/60Hz	20000H	>15000	φ296x29.1mm

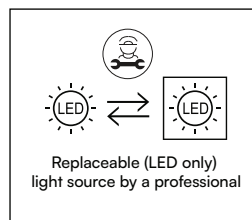
'This product contains a light source of energy efficiency class <F/E>', where <F/E> shall be replaced by the energy efficiency class of the contained light source.

INTRODUCTION & WARRANTY

Thank you for selecting and buying V-TAC product. V-TAC will serve you the best. Please read these instructions carefully before starting the installation and keep this manual handy for future reference. If you have any another query, please contact our dealer or local vendor from whom you have purchased the product. They are trained and ready to serve you at the best. The warranty is valid for 2 years from the date of purchase. The warranty does not apply to damage caused by incorrect installation or abnormal wear and tear. The company gives no warranty against damage to any surface due to incorrect removal and installation of the product. The products are suitable for 10-12 Hours Daily operation. Usage of product for 24 Hours a day would void the warranty. This product is warranted for manufacturing defects only.

WARNING

- Please make sure to turn off the power before starting the installation.
- Installation must be performed by a certified person.
- The light source of this luminaire is not replaceable, when the light source reaches its end of life the whole luminaire should be replaced.
- For Indoor use only
- If the external flexible cable or cord of this luminaire is damaged, it shall be exclusively replaced by the manufacturer or his service agent or a similar qualified person in order to avoid a hazard.
- Method of attachment of the cable or cord such that any replacement can only be made by the manufacturer, his service agent or similar qualified person.



This marking indicates that this product should not be disposed of with other household wastes.



Caution, risk of electric shock.



MULTI-LANGUAGE MANUAL QR CODE

Please scan the QR code to access the manual in multiple languages.

ATTENTION!

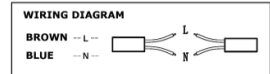
Do not look directly at LED light beam. Product can only be supplied by rated voltage or voltage within the range provided. It's forbidden to use the product with damaged protective cover. Product must not be used in unfavorable conditions, e.g. dust, water, moisture, vibrations, explosive air atmosphere, fumes, or chemical fumes, etc. In the area of strong electromagnetic interference, the functioning of the product may be disrupted.

USAGE GUIDELINES/MAINTENANCE

Any maintenance work must be performed when the power supply is cut off and the product has cooled down. Clean only with soft and dry cloths. Do not use chemical detergents. Do not cover the product. Ensure free air access. Product may heat up to a higher temperature.

MOUNTING

Read the manual before mounting. Mounting should be performed by a qualified electrician. Exercise caution. Product has a protective contact /terminal. Failure to connect the protective lead may lead to electric shock. Mounting diagram: see pictures. Check for proper mechanical fastening and connection to electrical power prior to first use.



RECESSED PANEL INSTALLATION DIAGRAM

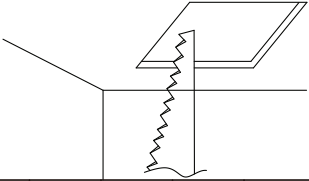
ROUND PANEL	3W	6W	12W	18W	24W
INSTALLATION HOLE SIZE	φ80 (77-82mm)	φ110 (107-112mm)	φ155 (150-155mm)	φ205 (200-205mm)	φ280 (275-280mm)

1. Cut a hole using an appropriate tool according to the cut-out size.

2. Switch OFF the power & Connect AC: 220-240V voltage with terminals.

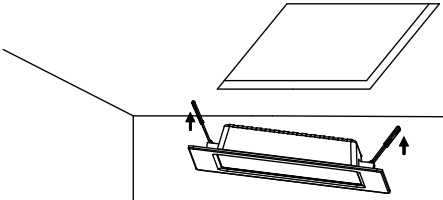
3. Hold the two clips back against the panel light and push it into the hole. Allow the springs to pull the light up to the ceiling.

4. Check whether the lamp is flat and electrified.
5. Clean the lamp with clean cloth.
6. Switch on the power and test the light.

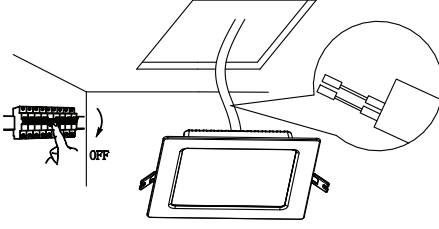


SQUARE PANEL	3W	6W	12W	18W	24W
INSTALLATION HOLE SIZE	80*80 (75-80mm)	110*110 (105-110mm)	155*155 (150-155mm)	205*205 (200-205mm)	280*280 (275-280mm)

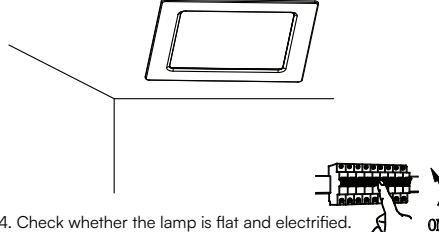
1. Cut a hole using an appropriate tool according to the cut-out size.



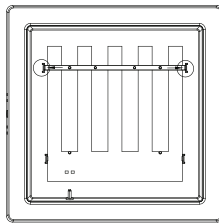
3. Hold the two clips back against the panel light and push it into the hole. Allow the springs to pull the light up to the ceiling.



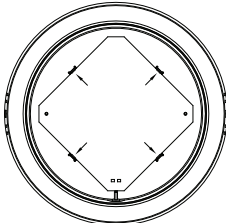
2. Switch OFF the power & Connect AC: 220-240V voltage with terminals.



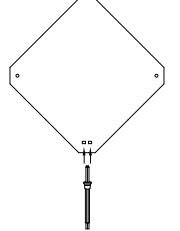
4. Check whether the lamp is flat and electrified.
5. Clean the lamp with clean cloth.
6. Switch on the power and test the light.



4. Press the buckle outwards, remove the aluminum substrate pressing strip from the bayonet, and remove the pressing strip. This step is only required for 24W panel light, other items are not required.

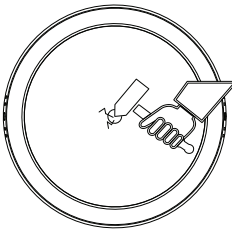


5. Press the buckle outwards, remove the aluminum substrate from the buckle, and remove the light source board.

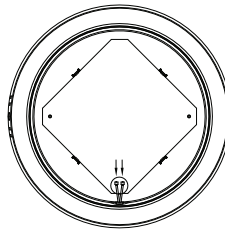


6. Take out two-cord cable (wire diameter 18-22AWG) and insert it into the plug-in terminal. Connect the external power supply for testing.

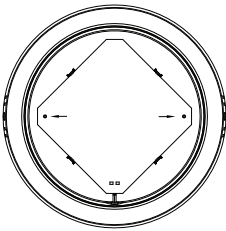
DISASSEMBLY DIAGRAM



1. Power off, tap the central area of the diffusion plate with a pointed tool, and take out the cracked diffusion plate



2. Remove the power wire from the plug terminal



3. If there is no hot melt column in the lamp body or the hot melt column is not hot melt, this step will be adjusted without treatment. If the hot-melt column has been fused to fix the aluminum substrate, cut the hot-melt part of the hot-melt point with diagonal pliers.



IN CASE OF ANY QUERY/ISSUE WITH THE PRODUCT, PLEASE REACH OUT TO US AT: SUPPORT@V-TAC.EU FOR MORE PRODUCTS RANGE, INQUIRY PLEASE CONTACT OUR DISTRIBUTOR OR NEAREST DEALERS. V-TAC EUROPE LTD. BULGARIA, PLOVDIV 4000, BUL.L.KARAVELOW 9B