



LED Linear Lights

V-TAC LED Linear Trunking System is an energy-efficient, low maintenance alternative to traditional linear fluorescent in a variety of industrial, commercial and light assembly applications. It is the optimal solution for conventional lighting systems and also excellent for new installations due to its low installation cost.

High lumen output

output:160 lm/W to meet different requirements

160⁺⁺
LM/W
HIGH LUMENS

Flexible Beam angle

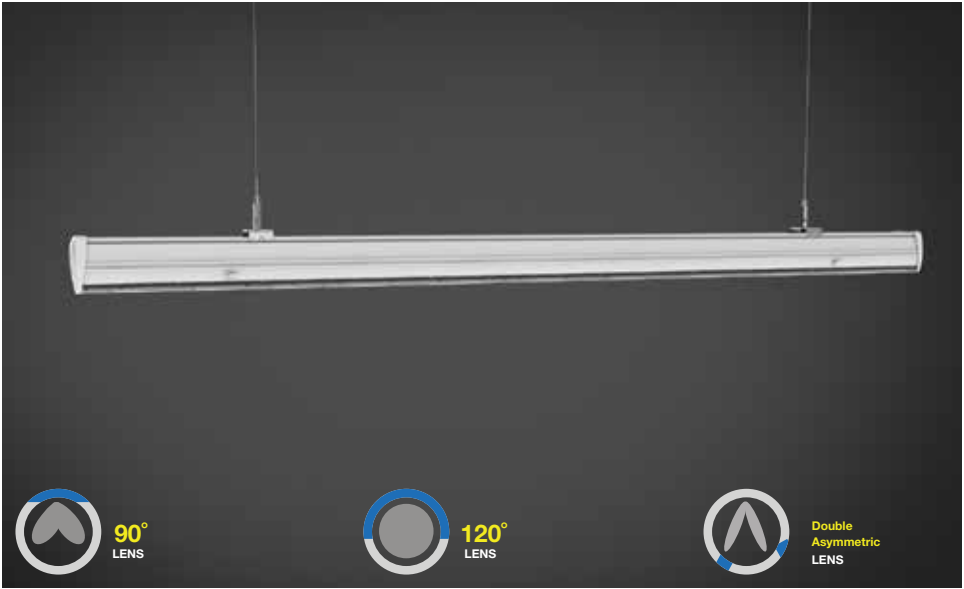
90°, 120°, double-asymmetric



Modular system

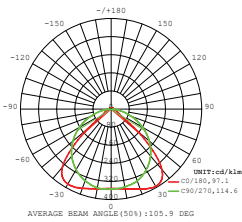
Continous row system, seamless connection, max 3500W /row





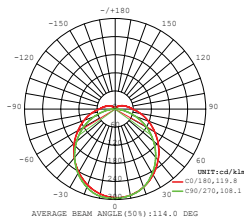
LED Linear Master Trunking

SKU: 1360 - 4000K Day White
3800157625647



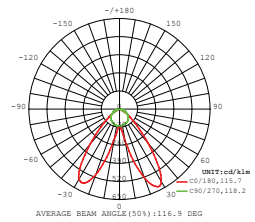
LED Linear Master Trunking

SKU: 1361 - 4000K Day White
3800157625654



LED Linear Master Trunking

SKU: 1362 - 4000K Day White
3800157625661



50w VT-4551D

Box Qty.
2 Pcs

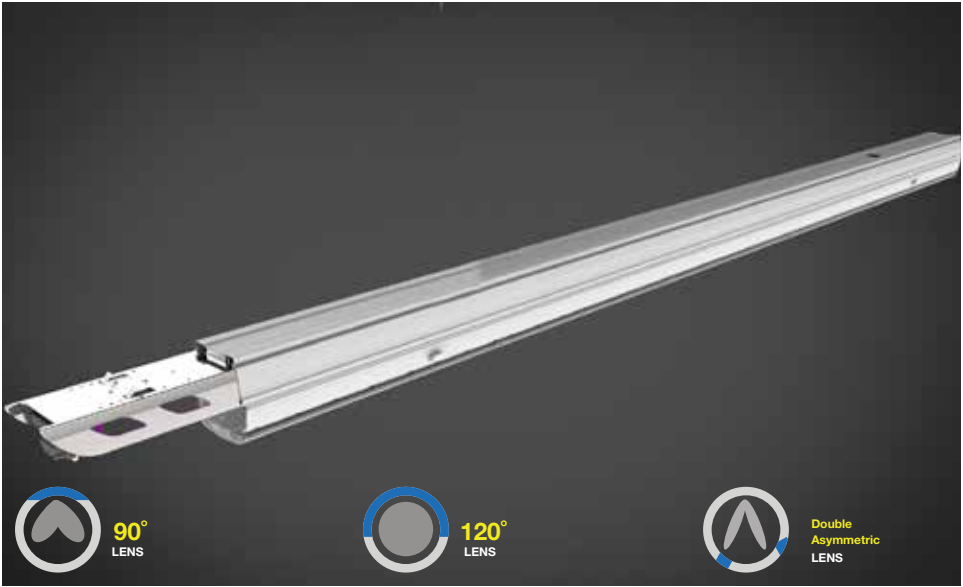
Sensor Compatible: **Yes**
Voltage/Frequency: **AC:220-240V,50/60Hz**
Luminous Flux: **8000lm**
LED Type: **SMD**
CRI: **>80**
PF: **>0.9**

5 V-TAC® PRO
YEAR WARRANTY

*Suitable for 10-12 hours daily, usage of the product for 24 hours a day would void warranty

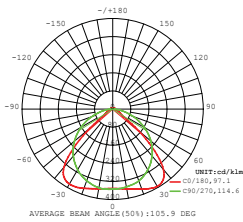
Color of Fixture: **White**
Body Type: **Steel**
Dimension: **1500mm**
ON/OFF Time: **>15000**
Life Span: **50,000 Hours**





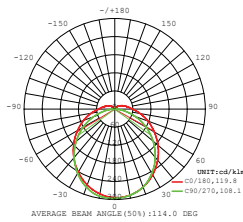
LED Linear Follow Trunking

SKU: 1363 - 4000K Day White
3800157625678



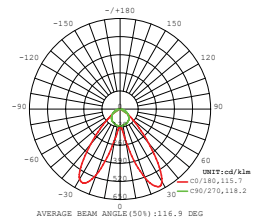
LED Linear Follow Trunking

SKU: 1364 - 4000K Day White
3800157625685



LED Linear Follow Trunking

SKU: 1365 - 4000K Day White
3800157625692



50w VT-4550D

Box Qty.
2 Pcs

Sensor Compatible: **Yes**
Voltage/Frequency: **AC:220-240V,50/60Hz**
Luminous Flux: **8000lm**
LED Type: **SMD**
CRI: **>80**
PF: **>0.9**

5 V-TAC® PRO
YEAR WARRANTY

*Suitable for 10-12 hours daily, usage of the product for 24 hours a day would void warranty.

Color of Fixture: **White**
Body Type: **Steel**
Dimension: **1500mm**
ON/OFF Time: **>15000**
Life Span: **50,000 Hours**



V-TAC PERFORMANCE
160
LUMENS/WATT



Linear Track Module

Box Qty.
5Pcs

SKU : 1382
EAN : 3800157626415



End Cap-Linear Light Accessory

Box Qty.
200 Pcs

SKU : 1366
EAN : 3800157625708



Suspended Cord-Linear Light

Box Qty.
100 Pcs

SKU : 1367
EAN : 3800157625715



8 Wire-Feed In Male Connector

Box Qty.
200 Pcs

SKU : 1368
EAN : 3800157625722



L Node Connector-Linear

Box Qty.
8Pcs

SKU : 1383
EAN : 3800157626422



T Node Connector-Linear

Box Qty.
2Pcs

SKU : 1384
EAN : 3800157626439



X Node Connector-Linear

Box Qty.
2Pcs

SKU : 1385
EAN : 3800157626446



S Line-Follow Trunking Rail

Box Qty.
10 Pcs

SKU : 1451
EAN : 3800157633079



S Line-PC Blank Cover

Box Qty.
35 Pcs

SKU : 1452
EAN : 3800157633086